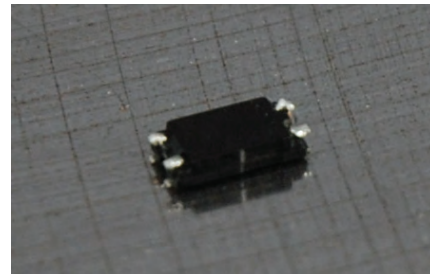




- 4 Pin SMD Toroidal Transformer
- Low Profile
- For Modem and Telecom applications
- Other configurations available
- Designed to meet EN60950 Supplementary insulation requirements for working voltages up to 250Vrms
- Operating Temperature range: 0°C to +70°C
- Maximum reflow temperature: 250°C/-5°C for 20-40 seconds (Refer to IPC/JEDEC J-STD-02C Standard)

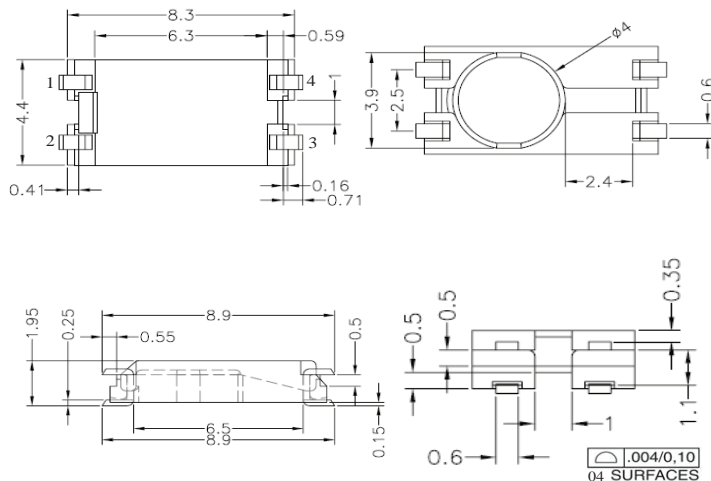


Electrical Specifications @25°C			
Part Number	Turn Ratio @10KHz ,0.1V (4-3):(1-2)	Inductance LP @ 10KHz , 0.1V (1-2)	DCR @ 10KHz ,0.1V (1-2)
SMT-3745	1.67:1±2%	30uH min	0.35 Ω max
Part Number	DCR @ 10KHz ,0.1V (4-3)	HI-POT 1sec/1mA ( 1-4 ) , (1+2 , 4+3 short)	
SMT-3745	0.35 Ω max	3750Vac	

All specifications subject to change without notice.

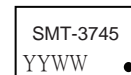
### MECHANICAL

#### Dimension



Unit :mm/±0.25

#### Marking



Remark:  
 XXXXXX=PART NUMBER (7 characters max.)  
 YYWW=DATE CODE. YY=YEAR;  
 WW=WEEK

### SCHEMATICS

