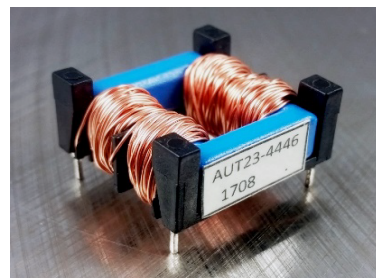




- Low Profile Horizontal Mount
- UT23 Through Hole Design

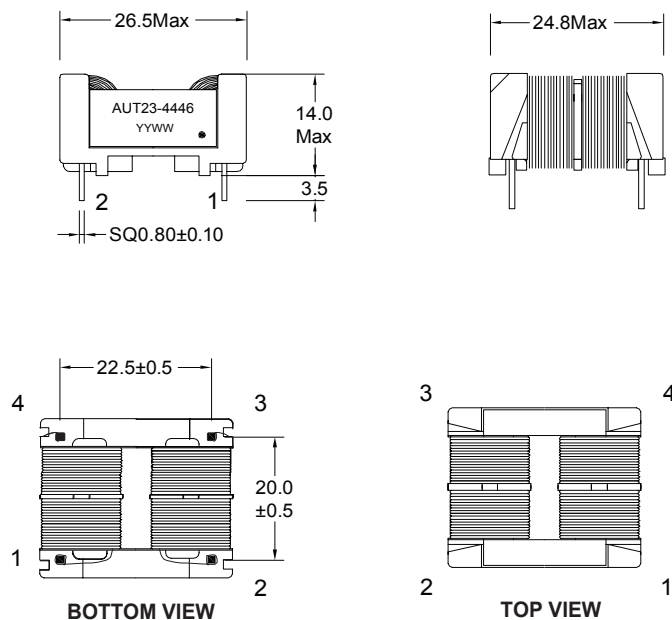


Electrical Specifications @ 25°C						
Allied Part Number	Inductance @10KHz, 0.1V (1-4) = (2-3)	LK (1-4) = (2-3)	DCR (1-4) = (2-3)	Turns Ratio N1:N2=1:1 ±2%	Hi-Pot N1 to N2	Rated Current
AUT23-4446	39mH +50%/-30%	800µH TYP	0.696Ω TYP	20KHZ1V	1500VAC 5mA 2S	1.2A

All specifications subject to change without notice.

MECHANICAL

Dimensions: (mm)



Schematic:

