

ISDN Transformer

APC1811-4036

- 1811 Through Hole Port Core Design
- For ISDN and other applications
- Operating Temperature: 40°C ~ +85°C including temp rise

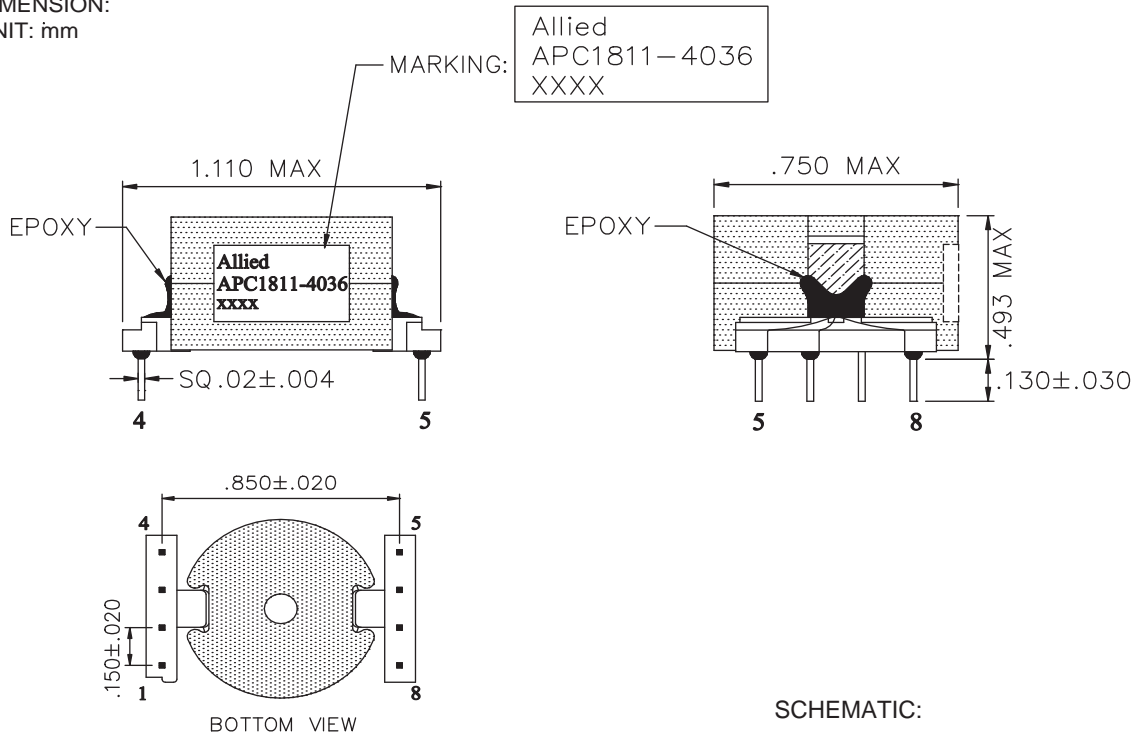


Electrical Specifications @ 25°C				
INDUCTANCE	DCR	Turns Ratio	HI-POT TEST	CORE GAP
10KHz/1V HP-4284A	CH-502A @25°C	1 - 4 : 5 - 7	PRI TO SEC:	MYLAR-FILM
1 - 4 : 13.0mH~180mH	1 - 4 : 5.2 Ohm ± 15% (short pin 2+3)	1.65 : 1 ± 3% (short pin 2 + 3)	AC 3000V 3mA for 2 Sec	
(short PIN 2+3)	5 - 7 : 3.0 Ohm ± 15%			

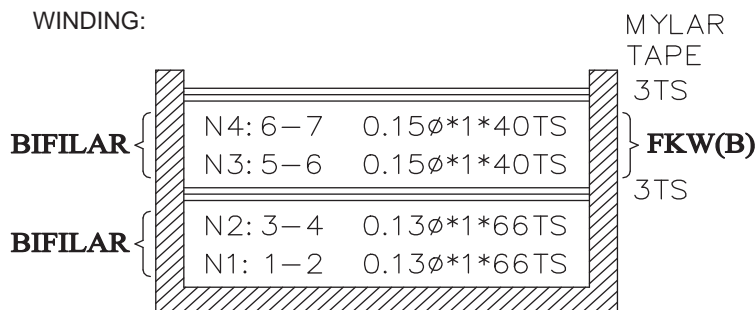
All specifications subject to change without notice.

MECHANICAL

DIMENSION:
UNIT: mm



WINDING:



SCHEMATIC:

