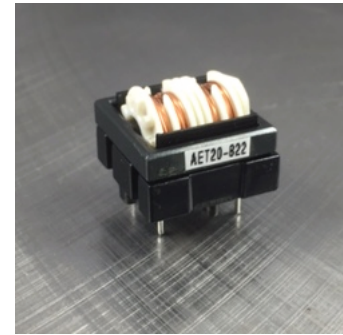




Through Hole Line Filter

AET20-822

- Low Profile Horizontal Mount
- ET20 Through Hole Design
- Made with UL Approved Materials



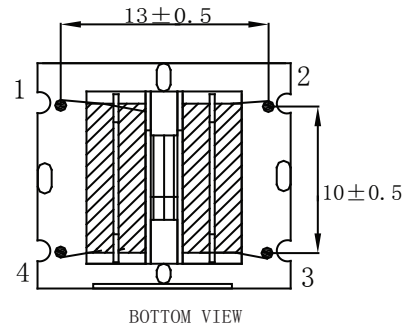
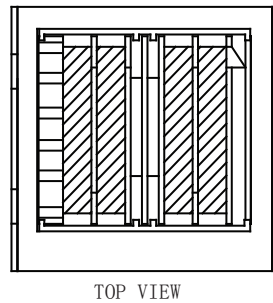
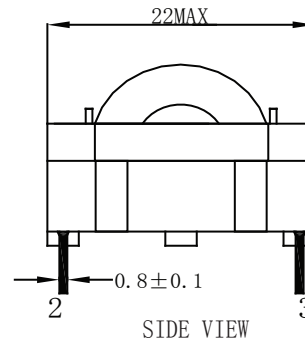
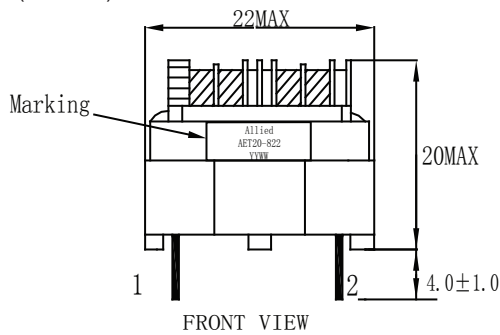
Electrical Specifications @ 25°C

Part Number	Inductance	DCR	HI-POT COIL-COIL	Hi-POT COIL-CORE	Input Voltage	Inductance Balance	Current Rating
AET20-822	8.2mH MIN	574mΩ MAX	AC1.0KV/5mA/3S	AC0.5KV/5mA/3S	85-265V/AC	200uH MAX	0.7A MAX

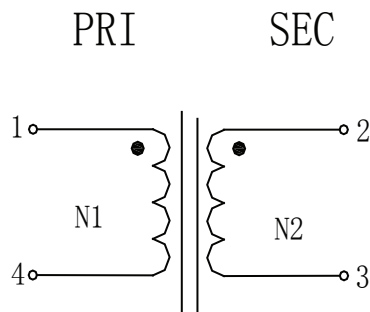
All specifications subject to change without notice.

MECHANICAL

Dimensions (Unit:mm)



SCHEMATIC:



WINDING CONSTRUCTION:

