



ADSL LINE TRANSFORMER SURFACE MOUNT MAGNETICS

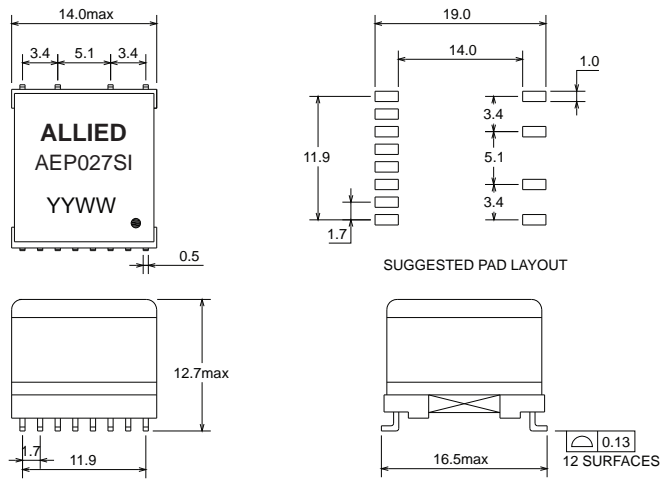
- EN60950 Basic Insulation compliant 250Vrms
- SMD compact foot print design
- Industrial operating temp: -40°C to +85°C

Electrical Specifications @25°C

Part Number	Turns Ratio (10KHz,0.1V)		OCL (10KHz,0.1V)	LL (100KHz,0.1V)	C _{ww} (100KHz,0.1V)	
	AEP027SI	16-9:1-4 (short 11-14,2-3)	16-9:5-8 (short 11-14,6-7)	16-9(short 11-14)	16-9(short11-14,1-2-3-4-5-6-7-8)	1-16(short 1-2-3-4-5-6-7-8,11-14)
1:1 ±2%		4.29:1 ±2%	400uH ±5%	15uH max	35pF max	
Continue						
DCR			THD (20KHz),5.3Vrms	LB (35KHz~650KHz)	Hi-Pot VAC (1mA/2s)	
16-9 (short 11-14)		1-4 (short 2-3)	5-8 (short 6-7)	-80dB max	55dB min	3000

All specifications subject to change without notice.

MECHANICAL



Units:mm

Unless otherwise specified all tolerances are: ±0.25 in mm

SCHEMATICS

