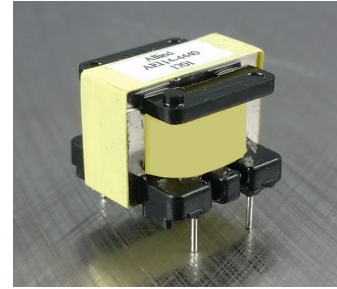




# Coupling Transformer

AEI14-4440



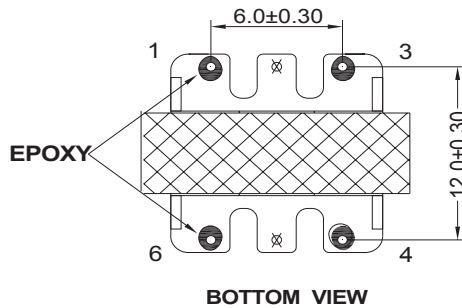
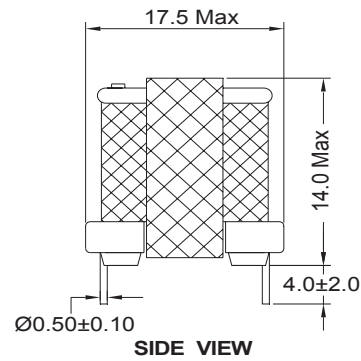
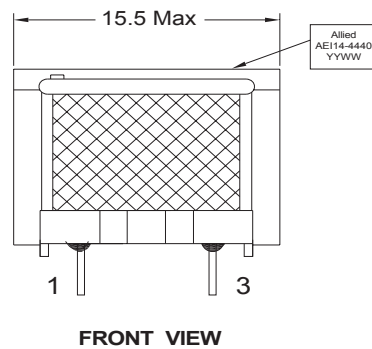
- EI14 Core TH Package
- Operating Industrial Temperature range: -40°C to +85°C

| Electrical Specifications @ 25°C |                 |  |                            |                           |                      |
|----------------------------------|-----------------|--|----------------------------|---------------------------|----------------------|
| Impedance<br>1KHz<br>(KΩ)        | DCR<br>(Ω ±20%) | Frequency<br>Response<br>@300Hz - 4.0KHz | Insertion<br>Loss<br>@1KHz | Turns<br>Ratio            | Hi-Pot<br>60S        |
| (3 - 1): 10 ±10%                 | (3 - 1): 330    | ±1.0dB                                   | 1.7dB Max                  | (3 - 1):(6 - 4) = 1:1 ±2% | Pri to Sec: 1000VAC  |
| (6 - 4): 10                      | (6 - 4): 420    |  |                            |                           | Pri to Core: 1000VAC |
|                                  |                 |  |                            |                           | Sec to Core: 1000VAC |

All specifications subject to change without notice.

## MECHANICAL

DIMENSIONS: MM



NOTE: REMOVE PINS 2 & 5

## SCHEMATICS

