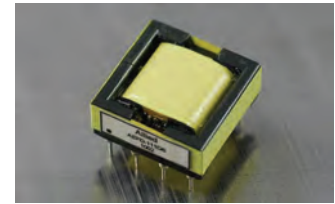




HIGH FREQUENCY TRANSFORMER

AEFD-111DS

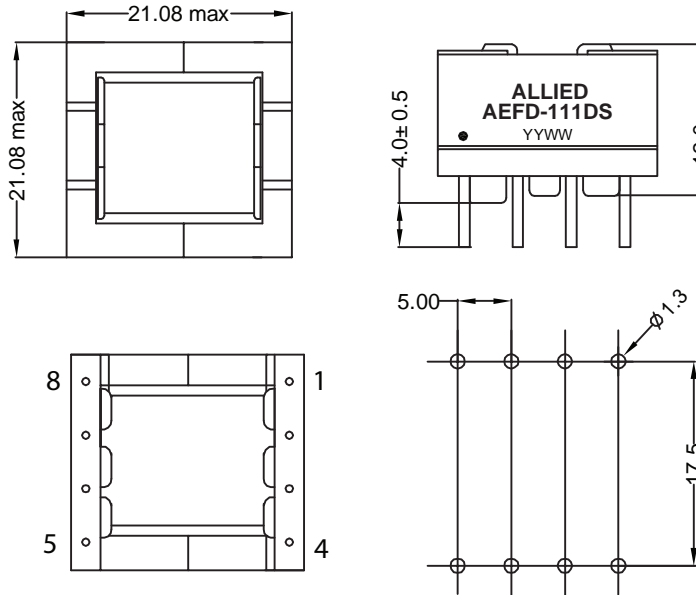
- IEC60950 Compatible
- High insulation type High efficiency
- Operating temperature range: 0°C to 70°C
- Storage temperature range:-25°C to +105°C



Electrical Specifications @25°C							
Part Number	Turns Ratio @100KHz,0.1V(NO GAP)	Inductance @100KHz,0.1V	DCR @25° C			HI-POT	
	(1,2-7,8):(3-6):(4-5)	1,2-7,8	1,2-7,8	3-6	4-5	Pri to Sec	Sec to Sec
AEFD-111DS	9:9:9±3%	1uH±10%	15m max	15m max	17m max	VAC625 3mA 1S	

All specifications subject to change without notice.

MECHANICAL



Unless otherwise specified all tolerances are: ± 0.25 in mm

SCHEMATICS

