



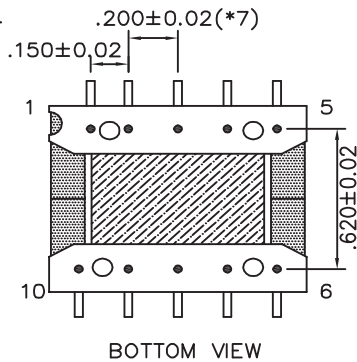
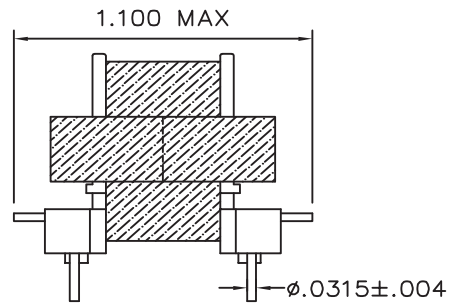
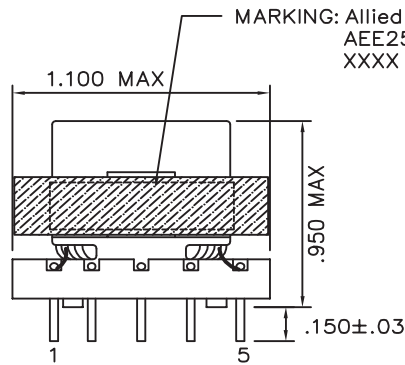
- EE25 Design
- Operating Temperature: 40°C ~ +85°C including temp rise

Electrical Specifications @ 25°C				
INDUCTANCE	LEAKAGE(L) INDUCTANCE	DCR (CH-502A) (Max)	HI-POT TEST	GAP
10KHz/0.1V HP-4284A	100KHz/0.1V HP-4284A	5 - 1 : 0.042Ohm	PRI TO SEC: AC 2000V 3mA for 1 Min	CORE CENTER
10 - 6	10 - 6 (shorted pins 1,5,7,9)	7 - 9 : 0.574Ohm	COIL TO CORE: AC 500V 3mA for 1 Min	
3.4mH 10%	114uH Max.	10 - 6 : 2.53Ohm		

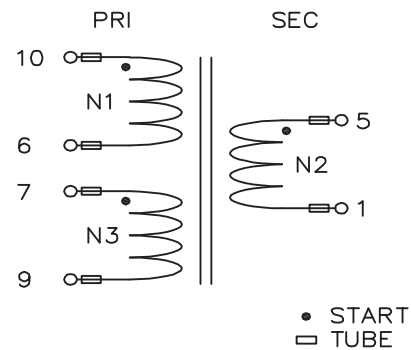
All specifications subject to change without notice.

### MECHANICAL

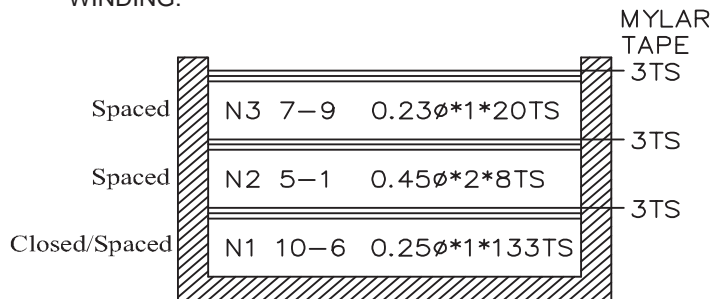
DIMENSION:  
UNIT: inch



SCHEMATIC:



WINDING:



NOTE:

- 1.ALL PIN ADD TEFLON TUBE.
- 2.CORE FIX TAPE 2TS.