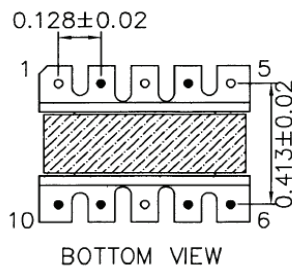
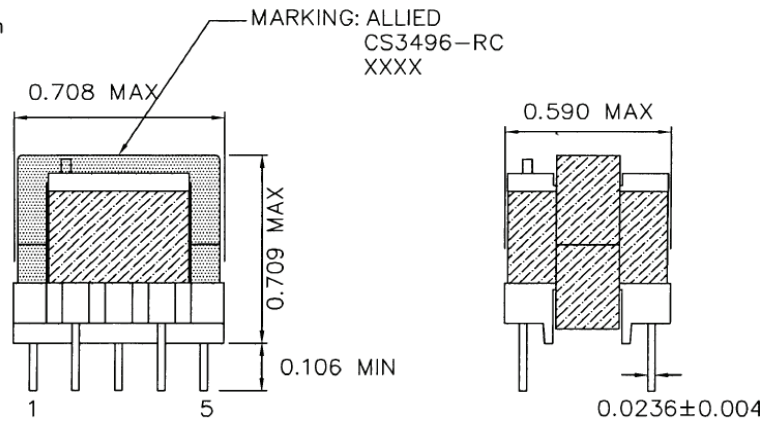
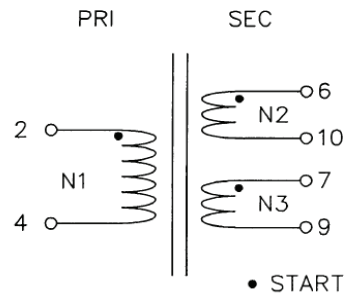


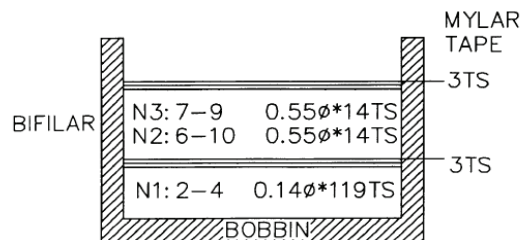
1. DIMENSION:
UNIT: inch



2. SCHEMATIC:



3. WINDING:



NOTE:
1. PIN 1,3,5,8 CUT OFF.
2. CORE FIX TAPE 2TS.



4.ELECTRICAL SPECIFICATTONS:

4-1. INDUCTANCE: 10KHz/0.1V (HP-4284A)

2 - 4 : 2.9mH \pm 10%

4-2. LEAKAGE INDUCTANCE: 10KHz/0.1V (HP-4284A)

2 - 4 : 60uH MAX 6-10 PIN SHORT

4-3. DCR: (CH-502A AT 25°C)

2 - 4 : 3.25 OHM \pm 15%6 - 10 : 35 mOHM \pm 15%7 - 9 : 35 mOHM \pm 15%

4-3. HI-POT TEST :

PRI TO SEC : AC 1500V 3mA FOR 1 SEC.

COIL TO CORE : AC 1000V 3mA FOR 1 SEC.

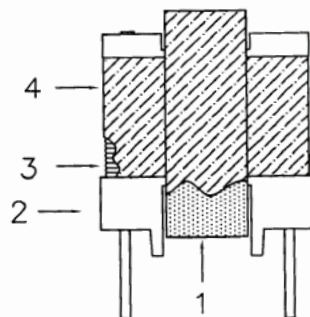
4-4. INSULATION TEST:

PRI TO SEC & CORE: 100MOHM MIN BY DC 500V.

4-5. GAP : CORE CENTER GAP.



5.MATERIAL LIST:



NO.	NAME	MATERIAL	RATING	MANUFACTURER	UL NO.
1.	CORE	FERRITE CORE PL7 EE-16 MZ4 P4		SAMWHA ELECTRONICS CO.,LTD. ALLITON ENTERPRISE CO,LTD ACME Electronics Corporation	
2.	BOBBIN	T375J	150°C	CHANG CHUN PLASTICS CO.,LTD.	E59481
3.	WIRE	POLYURETHANE ENAMELLED COPPER WIRE (2UEW)	130°C	JUNG SHING WIRE CO.,LTD. HUIZHOU COLDEN OCEAN MAGNET WIRE FACTORY.	E174837 E225143
4.	TAPE	MYLAR TAPE #35660Y	130°C	SYMBIO INC	E50292
5.	TIN	ANTI-OXIDE SOLDER (LEAD-FREE)		HENGGANG XIKENG SHENGNAN OR EQUIVALENT MATERIAL	
6.	VARNISH	BC-346A	200°C	JOHN C DOLPH COMPANY	E317429



TEST DATA

ITEM	IMPEDANCE			DCR			HI-POT TEST		INSULATION TEST	
	PIN	2-4	6-10	7-9	2-4	6-10	7-9	P-S	C-C	P-S
SPEC	2.9mH	40uH	40uH	3.25Ω	35mΩ	35mΩ	AC1500V	AC 1500V	DC500V/100MΩ/1MIN	
STD	±10%	REF	REF	±15%	±15%	±15%	/3mA/1SEC			
FREQ	10KHZ/0.1VHP-4284A			CH-502A @25°C						
1	2.83	39	39	3.21	33.2	33.2	OK	OK	OK	OK
2	2.84	39	39	3.22	33.1	33.1	OK	OK	OK	OK
3	2.78	39	39	3.20	33.4	33.4	OK	OK	OK	OK
4	2.86	40	40	3.21	33.1	33.1	OK	OK	OK	OK
5	2.79	39	39	3.20	33.2	33.2	OK	OK	OK	OK
6	2.86	40	40	3.21	33.2	33.2	OK	OK	OK	OK
7	2.75	38	38	3.21	33.1	33.1	OK	OK	OK	OK
8	2.81	39	39	3.20	33.1	33.1	OK	OK	OK	OK
	L.K :60uH MAX									
	2-4 (SHORT 6-10) 10KZ/0.1V HP-4284A									
1	46									
2	48									
3	45									
4	47									
5	48									
56	48									
7	47									
8	47									

TEST CONDITION:

TEMP. 24 °C

R.H.