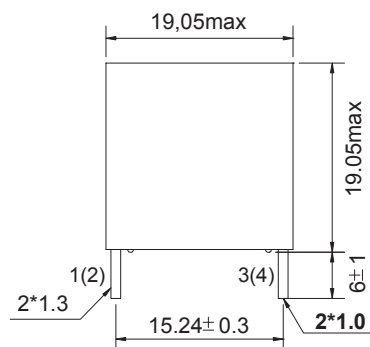
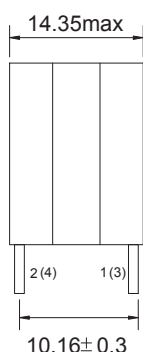


ACST-4360

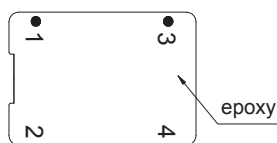
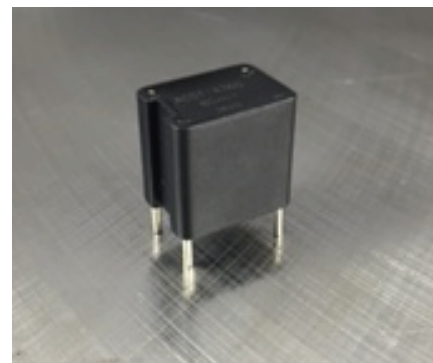
Current Sensing Transformer



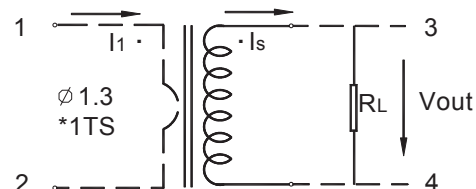
Front View



Left View



Top View



Electrical Specifications

I _{peak} (Amp.)	38
Turns Ratio	N _p :N _s =1:200
Sensitivity	1V/AMP
Inductance@ 16KHz/1V	80mH min
Frequency Range	1KHz to 100KHz
D.C. Resistance at 20 °C	4.5 Ω max.
Operating Temperature Range	-4 0~85°C
Storage Temperature Range	-40~85°C
Dielectric Withstanding Voltage(Hi-pot)	3750 Vrms/1mA/1min
Insulation Resistance	DC500V/100MΩ min

Mechanical Specifications

Housing	PBT(UL94-V0)
Output Type	2PIN Φ1.3mm/2PIN Φ1.0mm
Approx. Weight	6g