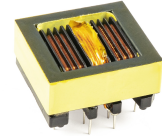




Inverter Transformer

AEFD25-4615

- EFD25 Core Through Hole Package
- Operating Temperature Range: -40°C to +130°C
- 1500VAC Hi Pot



Electrical Specifications @ 25°C

Inductance @10KHz, 0.1V 3 - 9 (Tie 4 - 10)	DC Resistance				
	3 - 10	4 - 9	7 - 6	1 - 5	8 - 12
19-29µH	15mΩ Max	15mΩ Max	12mΩ Max	131Ω Max	131Ω Max

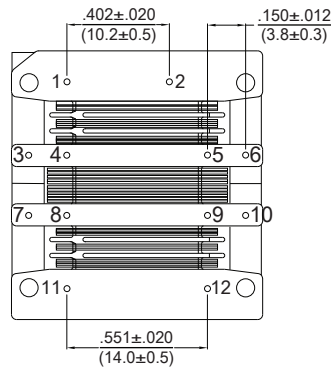
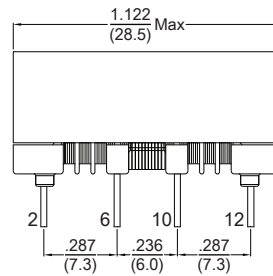
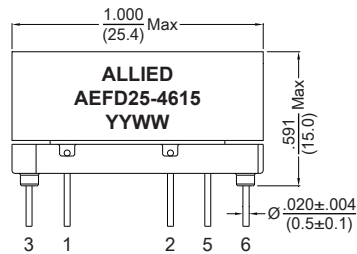
Secondary Electrical Specifications @ 25°C

Turns Ratio				Hi-Pot (5mA / 1Sec)	
(1-5) : (8-12)	(1-5) : (3-10)	(1-5) : (4-9)	(1-5) : (7-6)	(3,6,9) - (1,8)	Coil - Core
1 : 1 ±3%	66.5 : 1 ±3%	66.5 : 1 ±3%	167 : 1 ±3%	1500Vac	1000Vac

All specifications subject to change without notice.

MECHANICAL

Dimensions: $\frac{\text{inch}}{\text{mm}}$



SCHEMATIC

