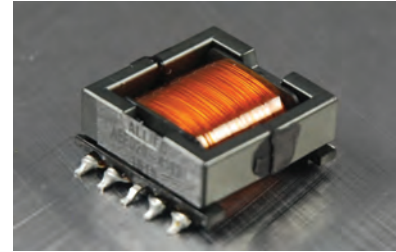




EFD20 Transformer

AEFD20-4193



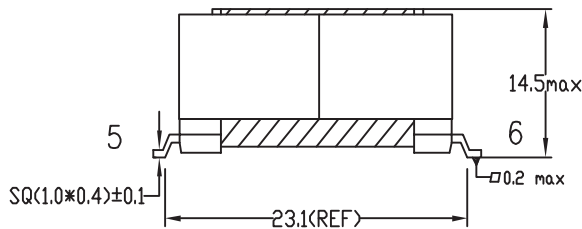
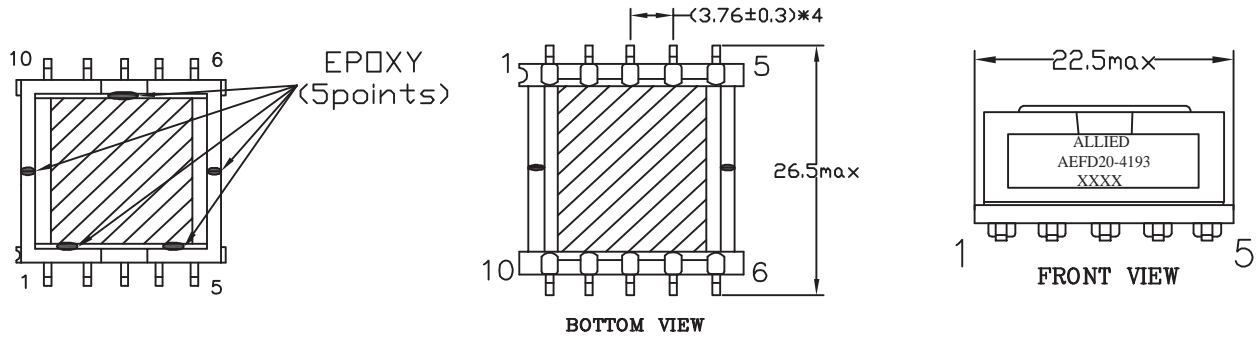
- EFD20 Low Profile Power Transformer Design
- RoHS Compliant
- Operating Temperature range: -25°C to +125°C

Specifications @25°C				
S - F	Inductance F = 10KHz, 1Vrms, 25°C	DC-BIAS F=10KHz, 1 Vrms (short pin)	DCR 25°C (Max)	Turns Ratio
1,2-4,5	8.2uH ±20%	LOA*75% min	15 mOhm	14Ts
9-8	-		1760 mOhm	74Ts
8-7	-		550 mOhm	21Ts

Specifications @25°C					
Location / Desc.	PRI-PRI	PRI-SEC	WINDING-CORE	PRI-CORE	COIL-CORE
Hi-Pot (50Hz/60Hz)	-	100Vdc, 2mA, 60 sec	100dc, 2mA, 60 sec	-	-
Insulation Resistance	-	500Vdc, 100mΩ min	500Vdc, 100mΩ min	-	-

All specifications subject to change without notice.

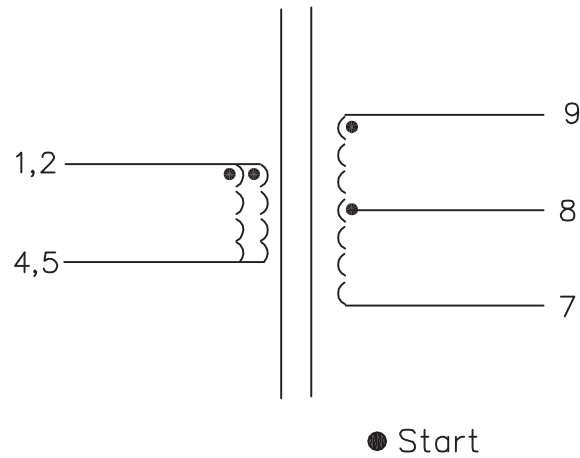
MECHANICAL



NOTE: 1.GAP CORE TO PIN1~5 SIDE.



SCHEMATIC



WINDING ORDER		S - F	WIRE SIZE	TURN	MARGIN TAPE	INSULATION TAPE	REMARK
#1	N1	1 - 4	∅0.45x2P(2UEWH)	14Ts	-	1.5 LAYERS (BROWN)	4 WIRES
#2	N2	2 - 5	∅0.45x2P(2UEWH)	14Ts	-		
#3	N3	9 - 8	∅0.2(2UEWH)	74Ts	-	1 LAYER (BROWN)	1 WIRE
#4	N4	8 - 7	∅0.2(2UEWH)	21Ts	-	3 LAYERS (BROWN)	1 WIRE

CONSTRUCTION

