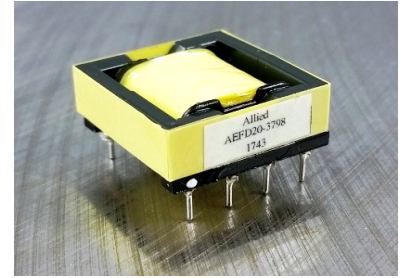


EFD20 Power Transformer

AEFD20-3798

- EFD20 Core Design
- Operating Temperature Range: -40°C to +130°C
- Up to 120W
- Wave solder condition: Max Temperature is 260°C ±3°C, 5-6 Sec



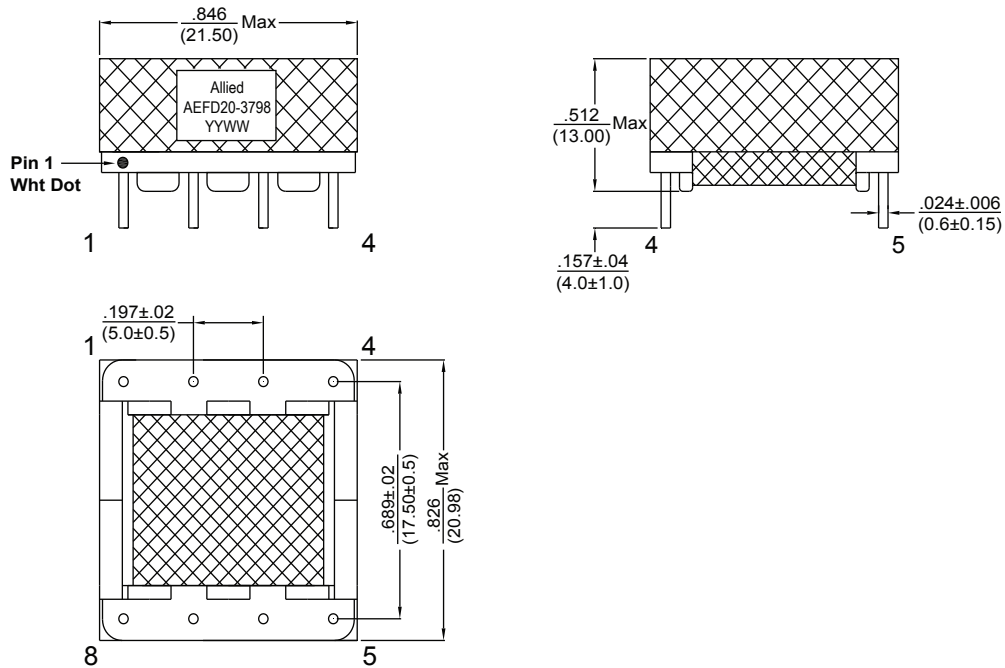
Specifications @ 25°C

Inductance Lp @200KHz, 0.1V (1,2 - 4,3)	Leakage Inductance Ls @ 200KHz, 0.1V 1,2 - 4,3 (short 5+6+7+8)	DCR (1 - 4) Max	DCR (2 - 3) Max	DCR (7,8 - 5,6) Max	Hi Pot 1mA, 1Sec Pri to Sec
110µH (±30%)	2.0µH Max	102mΩ	82mΩ	7.5mΩ	1500Vac

All specifications subject to change without notice.

MECHANICAL

DIMENSIONS: $\frac{\text{inch}}{\text{mm}}$



SCHEMATICS

