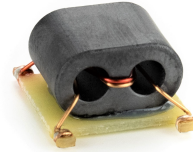




- Double-aperture transformer for VHF/UHF receivers/transmitters and push-pull amplifiers
- 260°C Reflow compatible
- Operating Temp Range: -40°C to +85°C
- Storage Temp Range: -45°C to +105°C

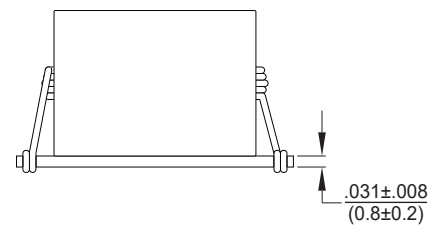
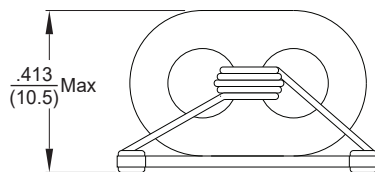
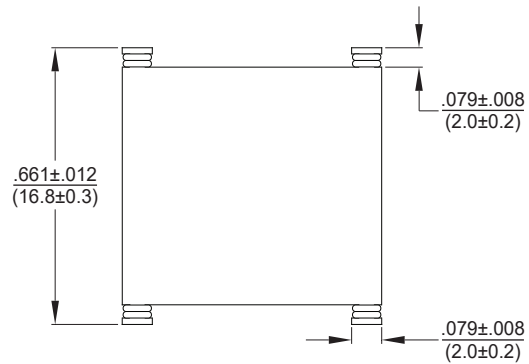
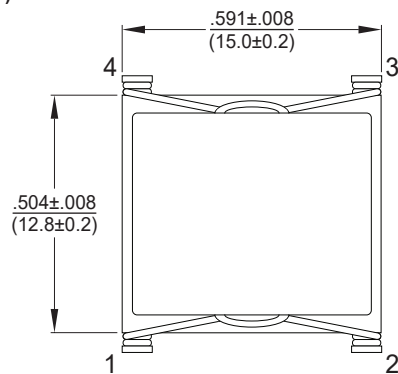


Electrical Specifications @25°C						
Inductance (μH)		Inductance Tolerance	Test Frequency KHz, 1.0V	DCR (mΩ) Max		Turns Ratio
1 - 2	4 - 3			1 - 2	4 - 3	
1.3	0.7	±30%	10	15	10	(1-2) : (4-3) 2 : 1

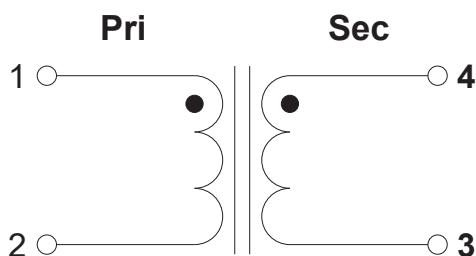
All specifications subject to change without notice.

MECHANICAL

Dimensions: $\frac{\text{inch}}{\text{(mm)}}$



SCHEMATIC



PCB LAYOUT

