



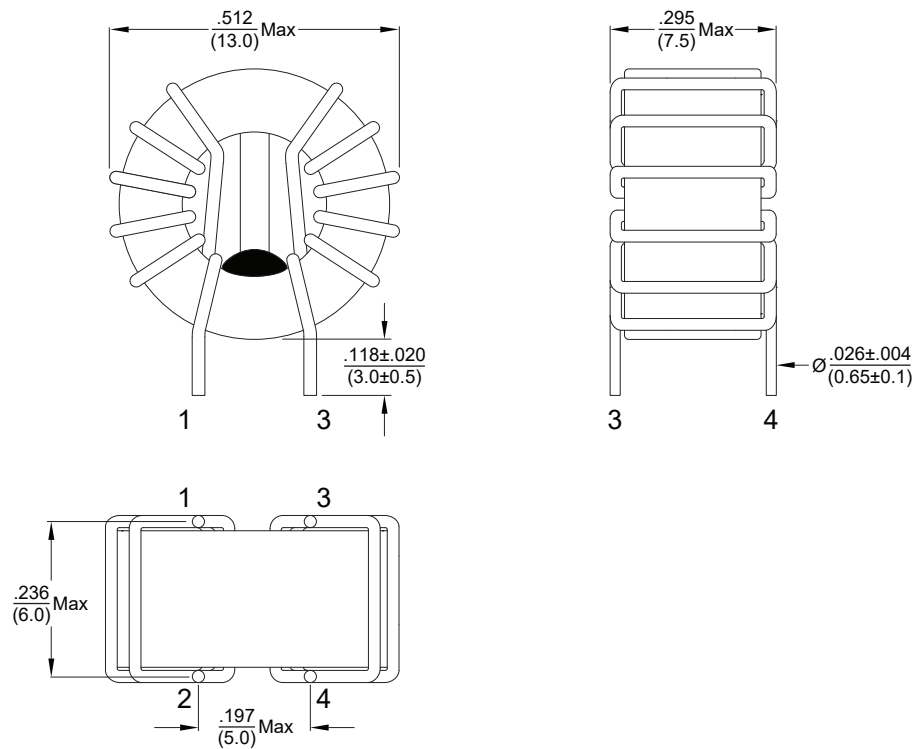
- Operating Temperature Range: -20°C to +125°C
- Storage Temperature Range: -20°C to +60°C

Electrical Specifications @25°C			
Inductance @ 10KHz, 0.1V (N1 = N2)	DCR (mΩ) Max	Rated Current (A)	Hi Pot Coil to Coil 5mA / 1sec
120μH +50%/+30%	7.5	3.5 Ref	1000VAC

All specifications subject to change without notice.

MECHANICAL

Dimensions: $\frac{\text{inch}}{\text{(mm)}}$



SCHEMATICS

