



10G Base-T LAN PoE++ Filter Module

A10GS-2424PP

- 10 Gigabit for PoE++ applications
- Compliant with IEEE 802.3BT
- Operating Temperature Range: 0°C to +70°C



Electrical Specifications @ 25°C

OCL(μH Min) @100KHz 0.1V With 22.5mA DC Bias	Turns Ratio (±2%)	Return Loss @100Ω Load ±1% (dB Min)					
		1 MHz	10-100 MHz	200MHz	300MHz	400MHz	500MHz
120	1CT:1CT	-20	-22	-17	-13.5	-11	-9

Electrical Specifications @ 25°C

Insertion Loss (dB Max)					Common Mode Rejection (dB Min)		
100 KHz	1-200MHz	300MHz	400MHz	500MHz	1-100MHz	100-300MHz	360-500MHz
-3.0	-1.0	-1.2	-1.7	-2.5	-37	-30	-25

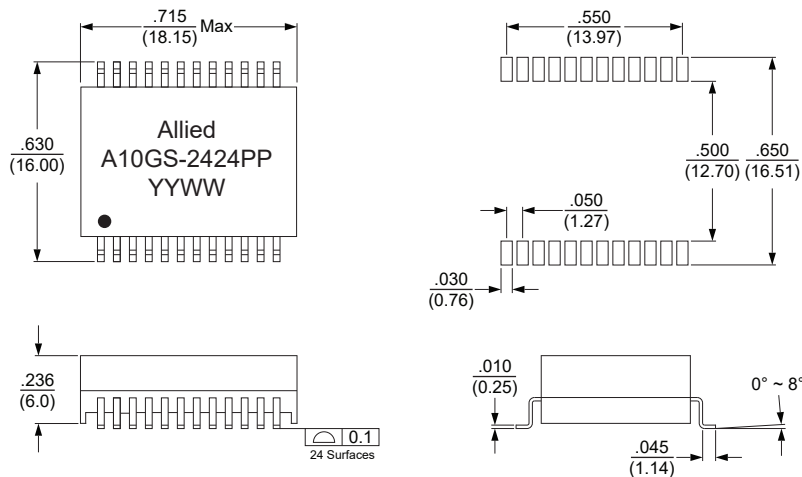
Electrical Specifications @ 25°C

Cross Talk (dB Min)		Common to Differention Mode Rejection (dB Min)			DC Resistance 1/2 Winding (Ω) Max	DC Current / Voltage Rating @ 57V (Continuous)	Isolation Hi-Pot (Vrms)
1-100MHz	100-500MHz	1-100MHz	100-300MHz	360-500MHz			
-40	-30	-40	-30	-25	0.65	1500mA Max	1500

All specifications subject to change without notice.

MECHANICAL

DIMENSIONS: $\frac{\text{inch}}{\text{mm}}$



Unless otherwise specified, all tolerance are ±0.010(0.25mm)

SCHEMATICS

