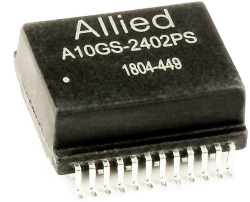




10G Base-T LAN PoE Plus Filter Module

A10GS-2402PS

- 10 Gigabit for PoE+ applications
- Designed to meet IEEE802.3at
- Operating Temperature Range: 0°C to +70°C
- Maximum Reflow Temp. 260°C/-5°C Sec, reflow time is 20~40 sec.



Electrical Specifications @ 25°C

OCL(μH Min) @100KHz 0.1V	Turns Ratio (±2%)	Return Loss @100Ω Load (dB Min)			DCMR (dB Min)		
		1MHz	2-100MHz	100-500MHz	1-100MHz	100-300MHz	300-500MHz
120	1CT:1CT	-23	-25	-12+21.6*log(f/400)	-40	-30	-25

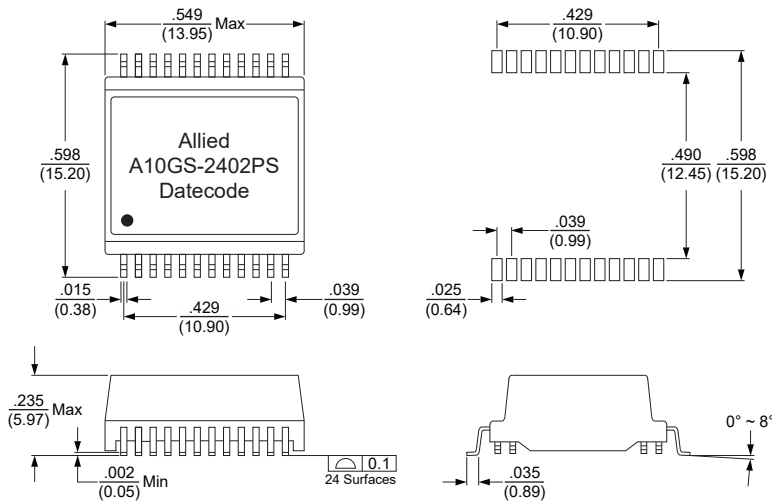
Electrical Specifications @ 25°C

Insertion Loss (dB Max)		Cross Talk (dB Min)		DC Current Carrying Capability	Isolation Hi-Pot (Vrms)
100KHz	1-400MHz	1-100MHz	100-500MHz		
-3.0	-1.0	-40	-30	1.2A	1500

All specifications subject to change without notice.

MECHANICAL

DIMENSIONS: $\frac{\text{inch}}{\text{mm}}$



Unless otherwise specified, all tolerance are ±0.001(0.25mm)

SCHEMATICS

