



- 10/100 Base T for LAN, WAN and other Ethernet applications
- Meets IEEE 802.3 specification
- Standard Operating Temp: 0°C +70°C



Electrical Specifications @ 25°C

OCL(μH Min) @100KHz, 0.1V With 8mA DC Bias	Turns Ratio (±3%)	Insertion Loss (dB Max)	Return Loss (dB Min)			DCR (Ω) Max
			1-100MHz	1-30MHz	30-60MHz	
350	1CT : 1CT	-1.0	-18	-15	-12	1.2

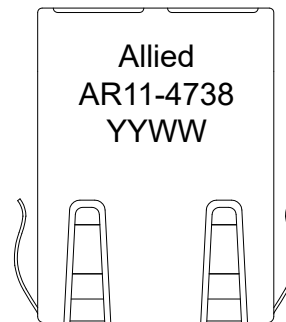
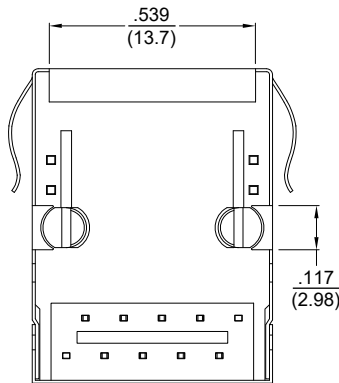
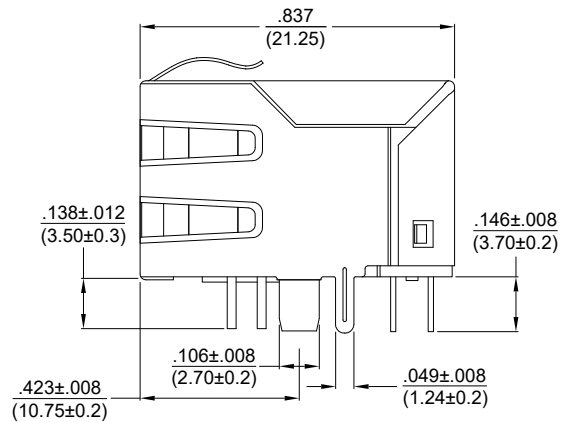
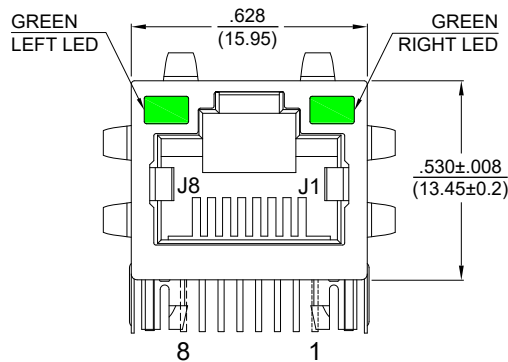
Electrical Specifications @ 25°C

Common Mode Rejection (dB Min)		Cross Talk (dB Min)			Hi-Pot
1-50MHz	50-150MHz	1-30MHz	30-60MHz	60-100MHz	
-30	-20	-40	-35	-30	1500Vrms

All specifications subject to change without notice.

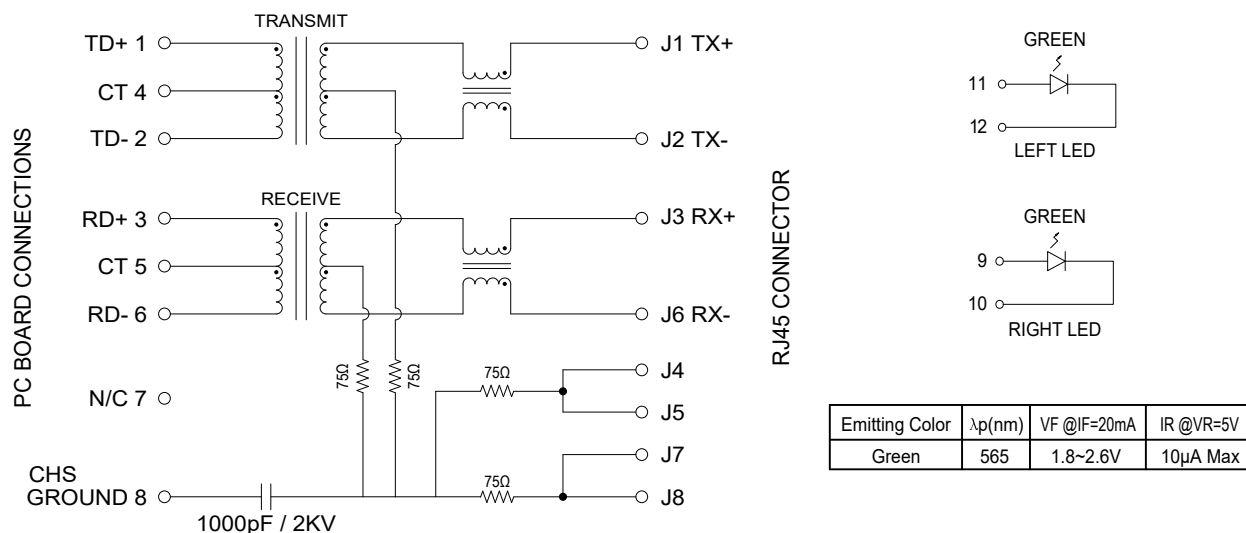
MECHANICAL

Dimensions: $\frac{\text{inch}}{\text{mm}}$



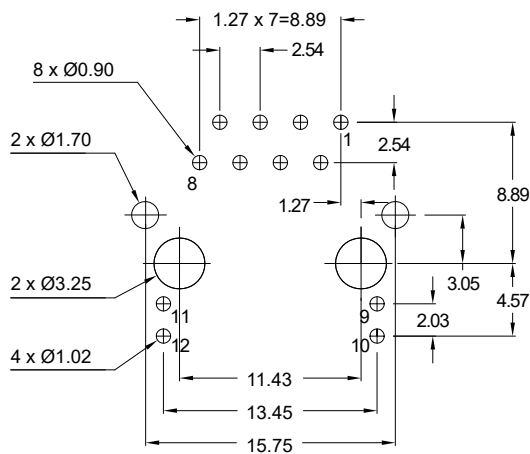


SCHEMATIC



PCB LAYOUT

Dimensions: mm



NOTES

- Connector Materials:
 - Housing: Thermoplastic PBT+30% G.F. UL94V-0
 - Contact: Phosphor Bronze C5210R-EH Thickness = 0.35mm
 - Pins: Brass C2680R-H Thickness = 0.35mm
 - Shield: SUS 201-1/2H Thickness = 0.20mm
 - Contact Plating: Gold 6 μ m min. in contact area
- Wave solder peak temperature: 265°C, 5 sec.