



- Industrial Operating Temp: -40°C to +85°C
- Storage Temp: -40°C to +85°C



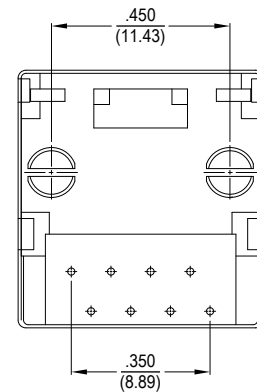
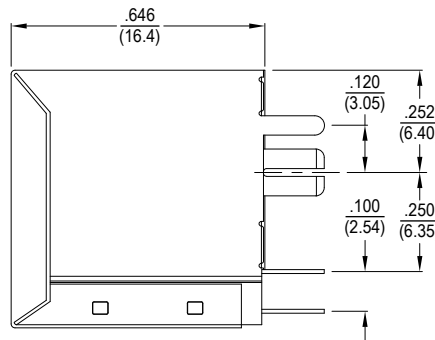
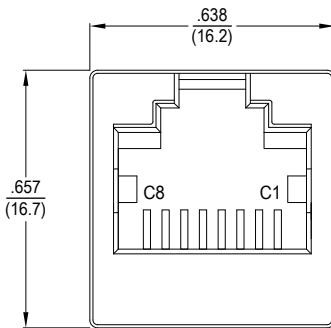
Electrical Specifications @ 25°C

Voltage Rating (VAC)	Current Rating (Amp)	Contact Resistance (mΩ)	Insulation Resistance @ 500VDC (MΩ)	Dielectric Strength 60Hz / 60 Sec
125	1.5	50 Max	500 Min	1000VAC

All specifications subject to change without notice.

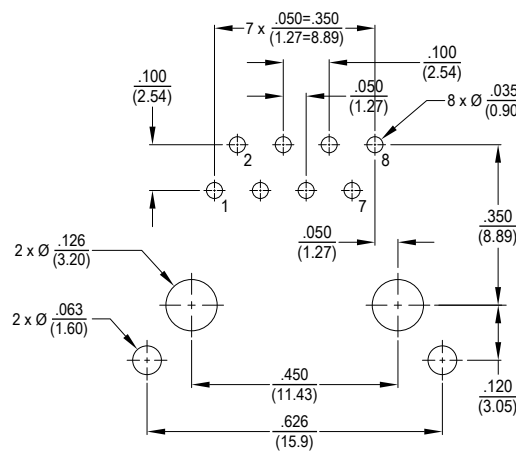
MECHANICAL

Dimensions: $\frac{\text{inch}}{\text{mm}}$



Tolerance ±.010 (0.25mm)

PCB LAYOUT



Tolerance ±.010(0.25mm)

NOTES

- Connector Materials:**
Housing & Insert: PBT UL94V-0
Contact Material: Ø 0.46mm Phosphor Bronze Gold Plating Over Nickel
Shield: 0.20 - 0.25mm Thickness Brass with Tin Plating