



Single Port RJ45 with Dual USB3.0 Ports **AR1USB2-4523**



- 100/1000 Base T Gigabit For Ethernet Application
- With Dual USB 3.0 Ports
- Meets IEEE 802.3 Standard
- Wave Solder Temperature: 265°C Max, 5 Sec Max
- Operating Temp: -0°C to +70°C

Electrical Specifications @ 25°C

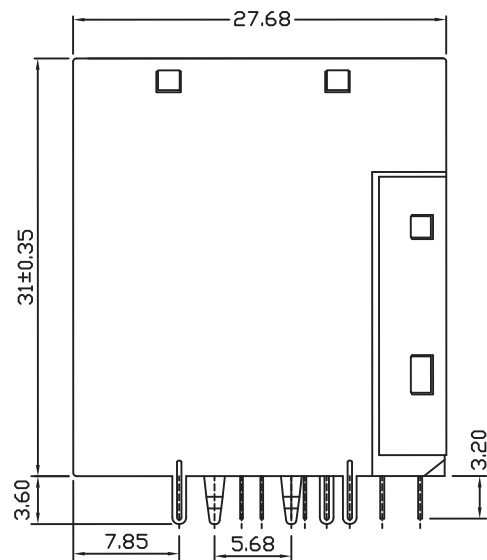
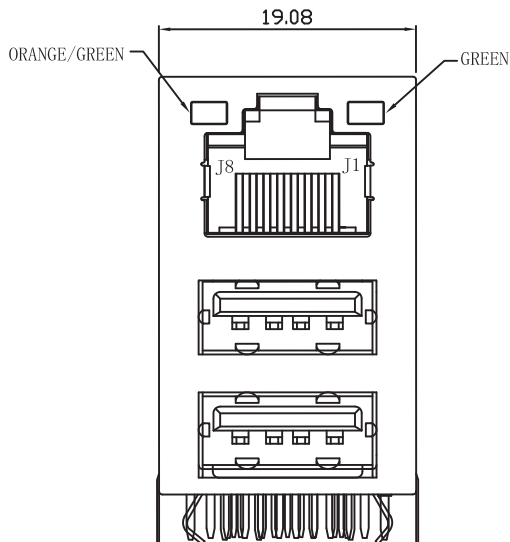
OCL (µH Min) @100KHz 100mV,8mA	Turns Ratio @100KHz, 100mV	Insertion Loss (dB Max)				Return Loss (dB Min)		
		300-999KHz	1-60MHz	60-80MHz	80-100MHz	100-125MHz	1-40MHz	40-100MHz
350	1 : 1±3%	-1.0	-0.6	-0.8	-1.0	-2.4	-18	-12+20*LOG(f/80)

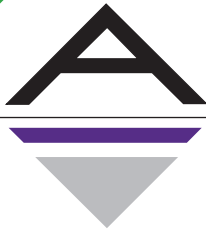
Electrical Specifications @ 25°C

Cross Talk (dB Min)			DMR (dB Min)		CMR (dB Min)			Hi-POT (Vrms)
1-29MHz	30-250MHz	250-375MHz	1-29MHz	30-500MHz	1-270MHz	270-300MHz	300-500MHz	
-30	-28	-26	-30	-30	-19	-18	-17	1500

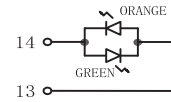
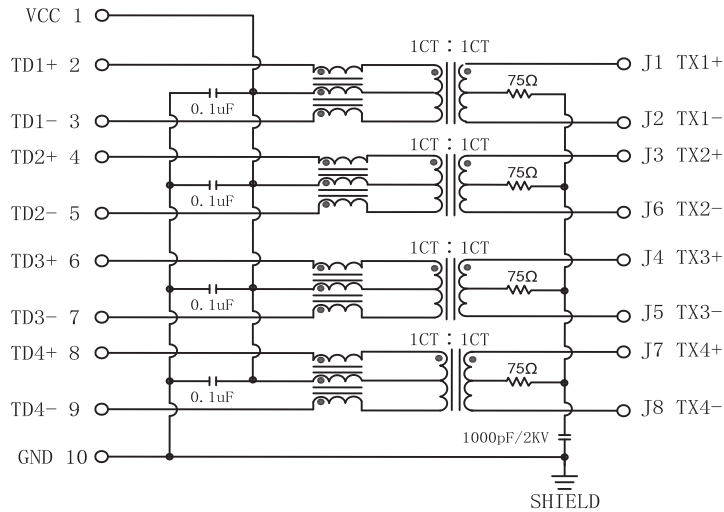
All specifications subject to change without notice.

MECHANICAL



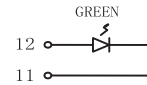


SCHEMATICS



LEFT LED

LED POLARITY		COLOR
PIN 14	PIN 13	
+	-	GREEN
-	+	ORANGE



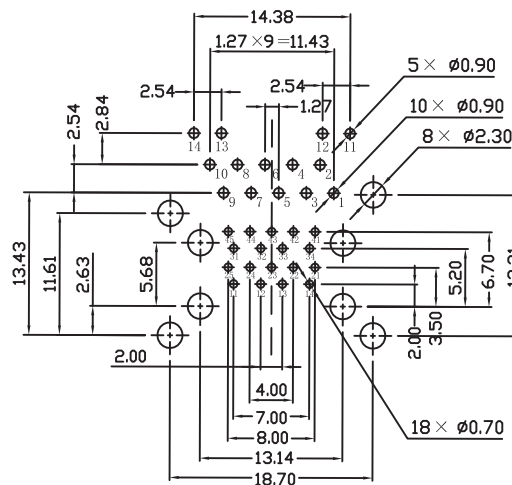
RIGHT LED

LED POLARITY		COLOR
PIN 12	PIN 11	
+	-	GREEN

LED CONFIGURATION

Emitting Color	λ p(nm)	VF@IF=20mA	IR @VR=5V
GREEN	565	1.8~2.4V	10 µ A max
ORANGE	610	1.8~2.4V	10 µ A max

PCB LAYOUT



NOTES

- | | |
|---------------------|--|
| 1. Shield Plating- | Nickel |
| 2. Housing- | Thermoplastic UL94V-0 |
| 3. Contact/Shield- | Copper alloy |
| 4. Contact Plating- | Gold 6 micro-inches min. In contact area |
| 5. USB Contact- | Plating: Gold flash. |