



Single Port PoE RJ45 Connector

AR11-4709I

- 100/1000 Gigabit Base-T for Ethernet, LAN, WAN and other networking applications
- For PoE Applications. Compliant with IEEE802.3af
- DC Current/Voltage: 350mA Max @ 57VDC Continuous
- Industrial Operating Temp: -40°C to +85°C
- RJ45 Jack cavity conforms to FCC rules and regulations Part 68



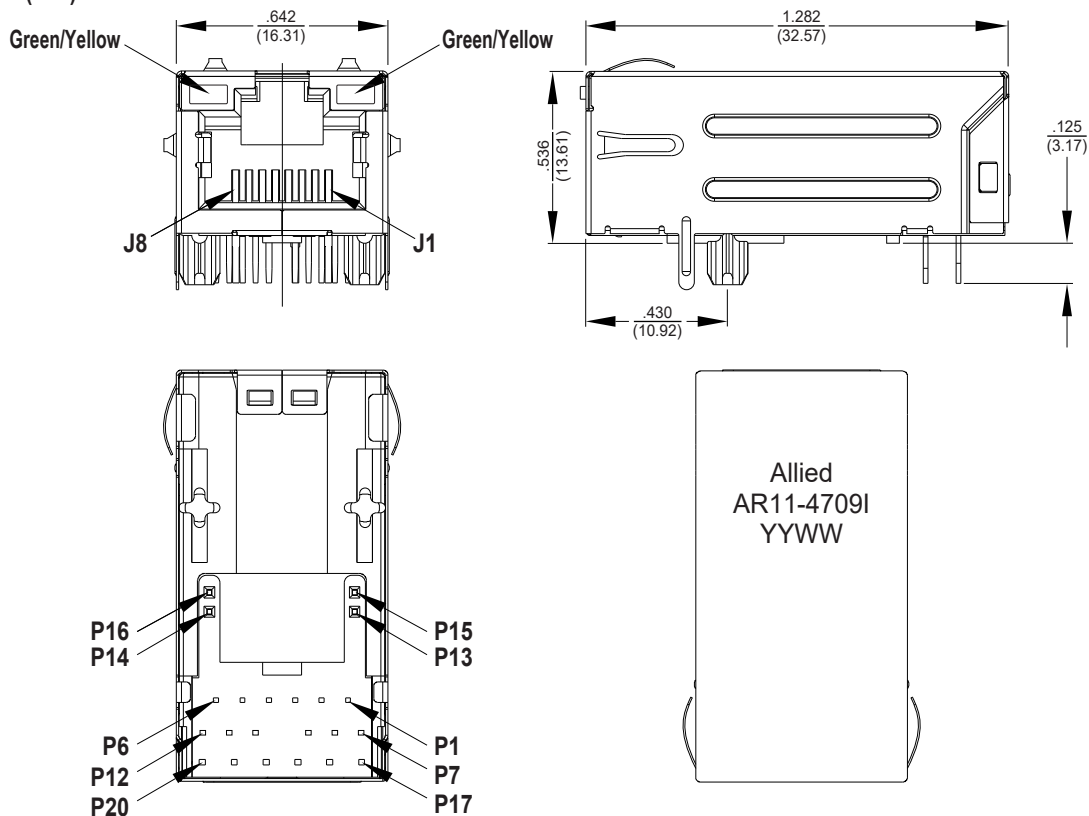
Electrical Specifications @25°C						
OCL(μH Min) @100KHz, 0.1V		Turns Ratio @100KHz (±2%)	DCR (Ω) Max	Insertion Loss (dB Max)		Isolation (VDC) PHY to Line
8mA DC BIAS	19mA DC BIAS			1-100MHz	100-125MHz	
350	120	1:1	1.2	-1.0	-1.2	2250

Electrical Specifications @25°C					
Return Loss (dB Min)				Crosstalk (dB Min)	CMR (dB Min)
1-40MHz	40-60MHz	60-80MHz	80-100MHz		
-16	-12	-10	-8	1-100MHz -30	1-100MHz -30

All specifications subject to change without notice.

MECHANICAL

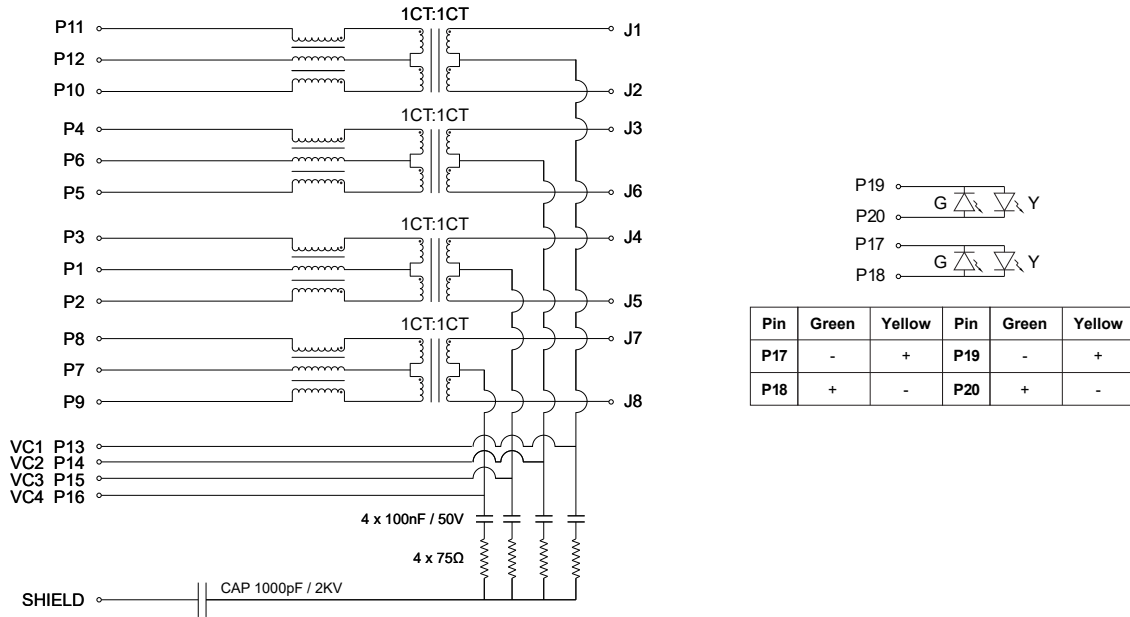
Dimensions: $\frac{\text{inch}}{\text{mm}}$



Unless otherwise specified, all dimension tolerances are ±.010 (.25mm)



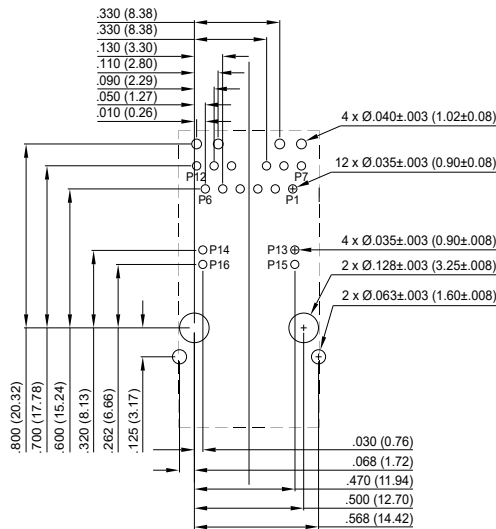
SCHEMATIC



Pin	Green	Yellow	Pin	Green	Yellow
P17	-	+	P19	-	+
P18	+	-	P20	+	-

PCB LAYOUT

Dimensions: inch (mm)



Unless otherwise specified, all dimension tolerances are ±.004 (.10mm)

NOTES

- Connector Material:
Housing: PA66 Black UL94V-0
Shield: Brass
Shield Plating: Nickel
Contact: Phosphor Bronze
Contact Plating: Selective gold, 30µ" min in contact area
- Pins not electrically connected may be omitted. See electrical drawing for omitted pins
- The part is recommended for wave soldering process peak soldering temperature is 260°C Max, 10 Sec Max