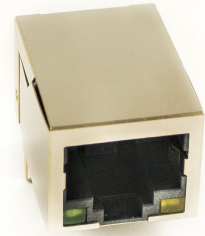


Single Port PoE RJ45 Connector

AR11-4618IR

- 10/100 Base-T Ethernet Application
- PoE compatible with IEEE802.3af
- For applications with 350mA current capability
- RJ45 jack cavity conforms to FCC rules and regulations Part 68, SUB Part F
- Industrial Temp: -40°C to +85°C
- Suitable for IR Reflow



Electrical Specifications @ 25°C

| OCL(μH Min) @ 100kHz, 0.1V | Turns Ratio (±5%) | | Insertion Loss (dB Max) | CrossTalk (dB Min) |
|-------------------------------|----------------------|---------------|----------------------------|-----------------------|
| With 8mA DC Bias | P1-P3 : J1-J2 | P4-P5 : J3-J6 | 1-100MHz | 1-100MHz |
| 350 | 1 : 1 | 1 : 1 | -1.0 | -30 |

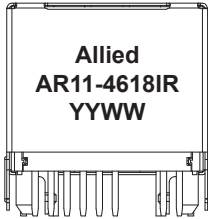
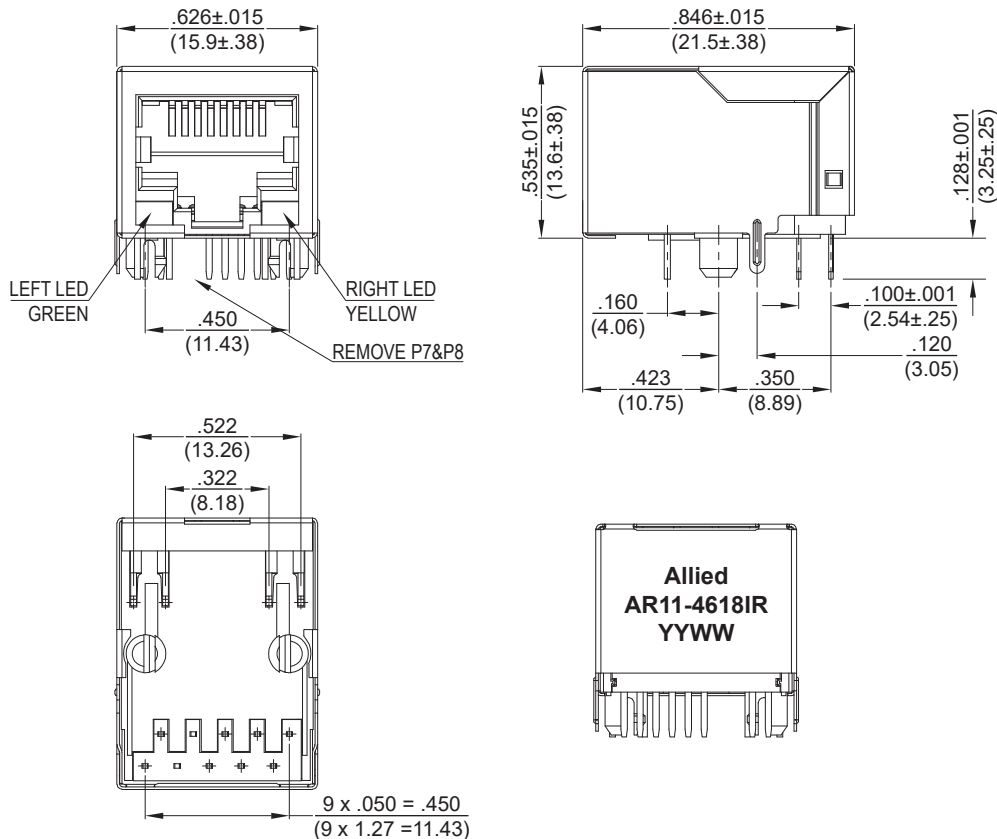
Electrical Specifications @ 25°C

| Return Loss (dB Min) | | | CMR (dB Min) | HI-POT INPUT-OUTPUT 1.0mA/3Sec. 1500VAC |
|-------------------------|----------|----------|-----------------|--|
| 1-30MHz | 30-60MHz | 60-80MHz | 1-100MHz | |
| -18 | -16 | -12 | -30 | |

All specifications subject to change without notice.

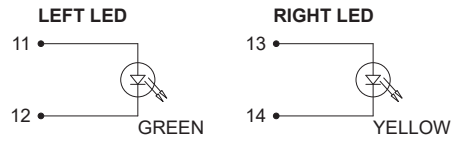
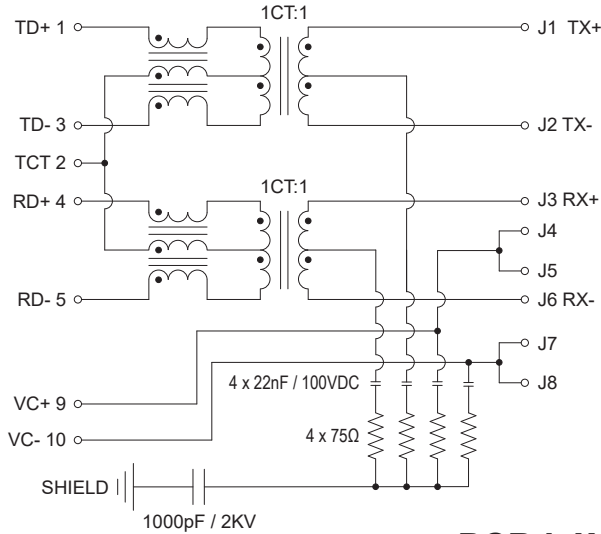
MECHANICAL

DIMENSIONS: $\frac{\text{inch}}{\text{mm}}$





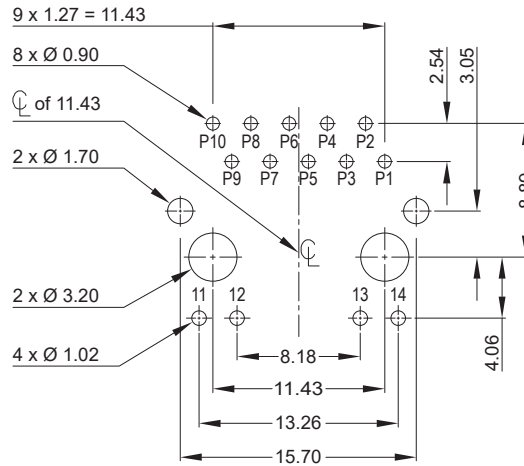
SCHEMATICS



| STANDARD LED | WAVELENGTH | FORWARD VOLTAGE |
|--------------|------------|-----------------|
| GREEN | 565nm | 2.5V Max |
| YELLOW | 585nm | 2.5V Max |

With a forward current of 20mA.

PCB LAYOUT



NOTES

- Shielded** - 0.20mm Thickness Brass C2680H
Plating Nichel 20µ" Min.
- Housing** - Plastic: LCP, Glass Fiber Filled
Polyester UL94V-0 Standard Color Black
- Contact Pin** - Plastic: LCP, Glass Fiber Filled
Polyester UL94V-0 Standard Color Black
Pin: 0.35mm Thickness Phosphor Bronze C5210 EH
Plating: Nickel 30µ"-60µ" for all and Sn 100% and Gold Plating 30µ"
- Insert Pin** - Plastic: LCP, Glass Fiber Filled
Polyester UL94V-0 Standard Color Black
Pin: 0.35mm Thickness SUS430
Plating: Sn All Over 30µ"-60µ" Nickel

Wave Solder Profile:

1. Peak temperature (Tp): 260°C±5°C
2. Peak temperature (Tp) time: 5 Sec Max

