



Single Port RJ45

AR11-4527I



- 10/100 Base-T for LAN and other Ethernet Applications
- RJ45 Jack cavity conforms to FCC rules and regulations Part 68, SUB Part F
- Industrial Operating Temp: -40°C +85°C

Electrical Specifications @ 25°C

OCL(μH Min) @100KHz, 0.1V With 8mA DC Bias	Turns Ratio (±2%)		Insertion Loss (dB Max)	Cross Talk (dB Min)
	P1-P3 : J1-J2	P4-P9 : J3-J6		
350	1:1	1:1	1-100MHz -1.0	1-100MHz -30

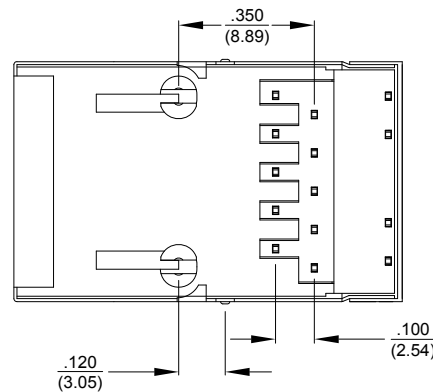
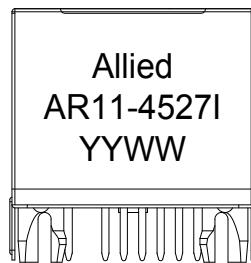
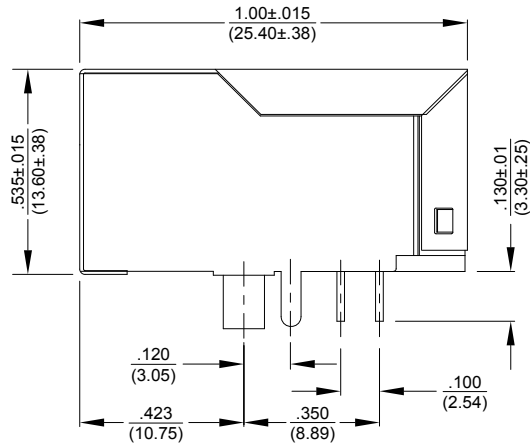
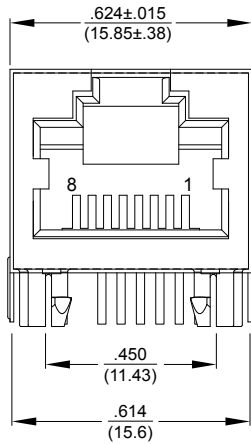
Electrical Specifications @ 25°C

Return Loss (dB Min)				CMR (dB Min)	Hi-Pot Input-Output 1500VAC,1mA,60S
1-30MHz	30-60MHz	60-80MHz	80-100MHz	1-100MHz	
-18	-16	-12	-10	-30	

All specifications subject to change without notice.

MECHANICAL

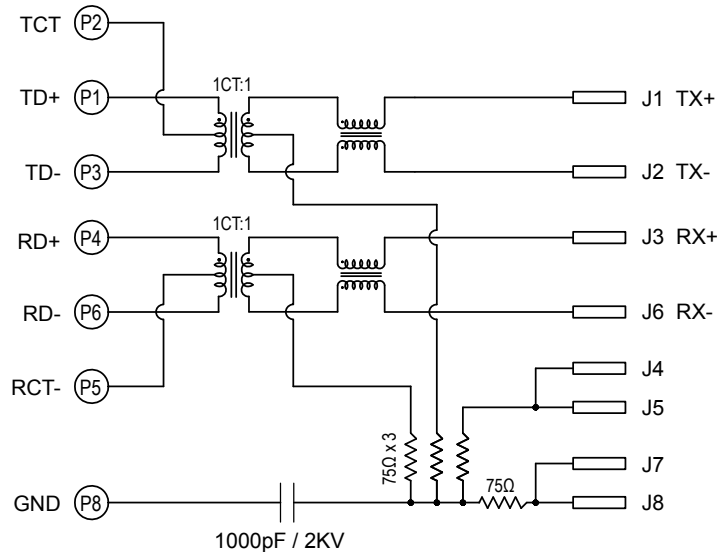
Dimensions: $\frac{\text{inch}}{\text{mm}}$



Unless otherwise specified, tolerance is ±.008(±0.20)

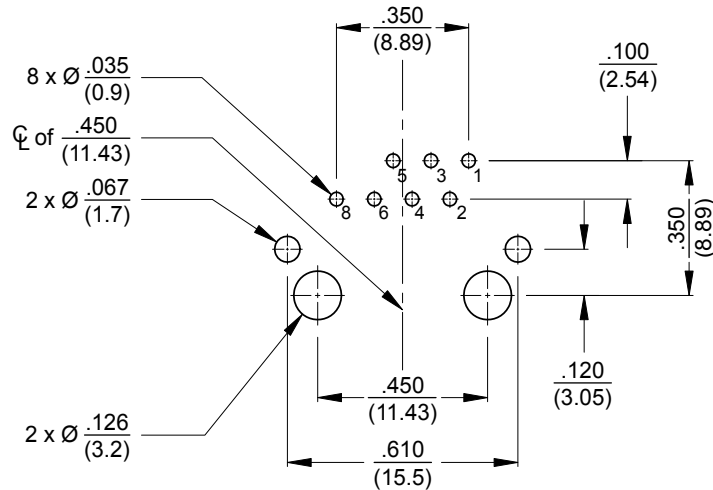


SCHEMATIC



PCB LAYOUT

Dimensions: $\frac{\text{inch}}{\text{(mm)}}$



Unless otherwise specified, tolerance is $\pm .008(\pm 0.20)$

NOTES

- 1. Shield:** 0.20mm Thickness Brass C2680H.
Plating Nickel 20 μ " Min.
- 2. Housing:** Standard Material Nylon66, Glass Filled Polyester UL94V-0 Standard Color Black.
- 3. Insert Pin:** Plastic: Nylon66 UL94V-0 Standard Color Black
Pin: 0.35mm Thickness Phosphor Bronze C5210 EH.
Plating: Nickel 30 μ " - 60 μ " For All And Sn 100%,
And Gold Plating 30 μ ".
- 4. Contact Pin:** Plastic: Nylon66, Glass Filled, UL94V-0, Standard Color Black
Pin: 0.35 Thickness SUS430
Plating: Nickel 30 μ " - 60 μ " For All And SN 100%