



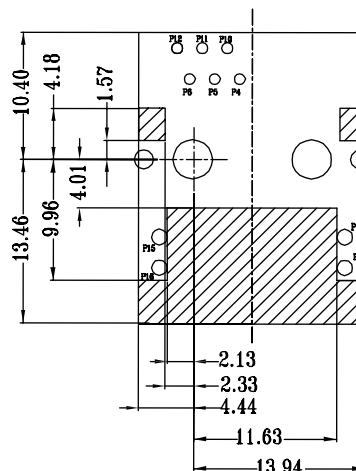
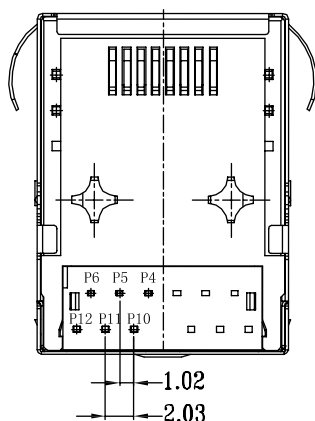
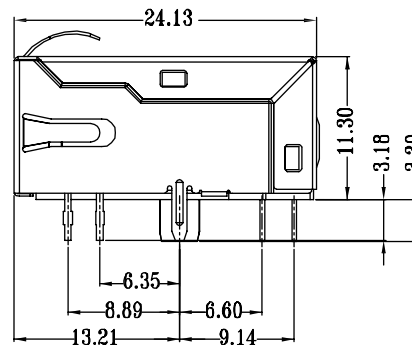
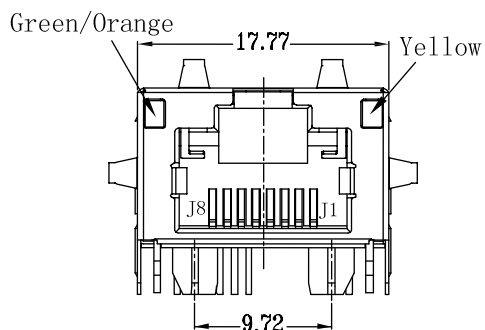
- 10/100 Base-T for Ethernet Applications
- Standard operating temp: 0°C to +70°C
- Transmit open circuit inductance (OCL): 350uH (MIN)
@ 100KHz, 0.1Vrms with 8mA DC Bias
- RJ45 jack cavity conforms to FCC rules and regulations Part 68, SUB Part F

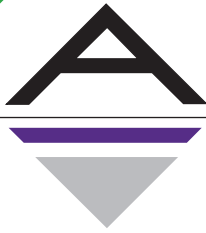
Electrical Specifications @ 25°C			
OCL(uH Min) @ 100kHz, 0.1V	Turns Ratio (P12~P10) : (J1~J2) (P4~P6) : (J3~J6)	DC Resistance (J1~J2):(J3~J6)	Cross Talk (dB Min)
With 8mA DC Bias			1-100MHz
350	1:1 ±5%	1.2 Ohms Max	-30

Electrical Specifications @ 25°C				
Insertion Loss (dB Max)	Return Loss (dB Min) @ Load 100 Ohm			Common to Common Mode Attenuation (dB Min)
1-100 MHz	1-30MHz	30-60MHz	60-80MHz	1-100 MHz
-1.2	-16	-12	-10	-30

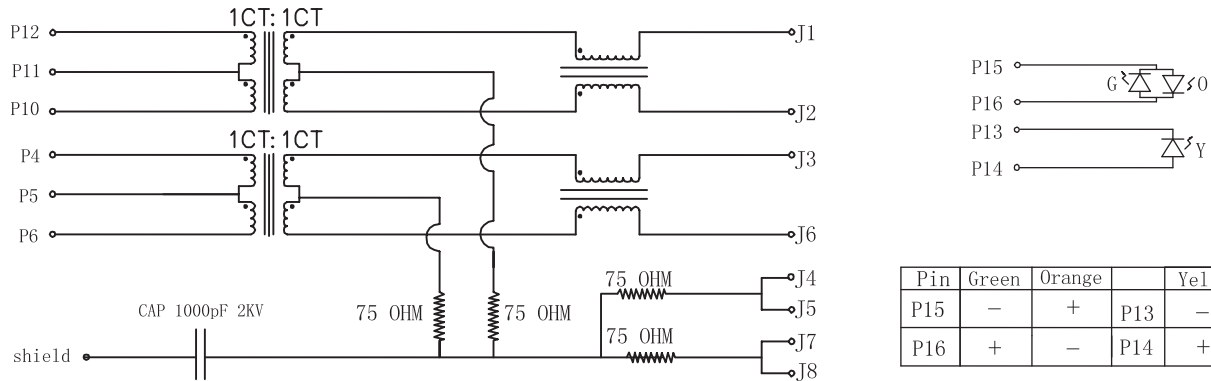
All specifications subject to change without notice.

MECHANICAL



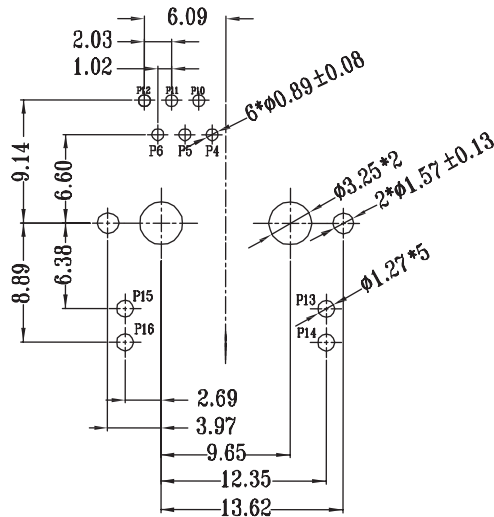


SCHEMATICS



Pin	Green	Orange		Yellow
P15	-	+	P13	-
P16	+	-	P14	+

PCB LAYOUT



NOTES

- CONNECTOR MATERIAL:
HOUSING:PA66 BLACK UL94 V-0
INSERTER:PBT BLACK UL94 V-0
SHIELD:Brass
SHIELD PLATING:NICKEL
CONTACT:PHOSPHOR BRONZE
CONTACT PLATING:SELECTIVE GOLD, 30 MICRO-INCHS MIN IN CONTACT AREA
- PIN NOT ELECTRICALLY CONNECTED MAYBE OMITTED SEE ELECTRICAL DRAWING FOR OMITTED PINS
- RJ45 CAVITIES CONFORM TO FCC RULES AND REGULATION PART 68.
- THE PART IS RECOMMENDED FOR WAVE SOLDERING PROCESS PEAK SOLDERING TEMPERATURE IS 260°C MAX, 10 SECS MAX
- OPERATING TEMPERATURE T=0°C TO +70°C.
- STORAGE TEMPERATURE T=-40°C TO +85°C.