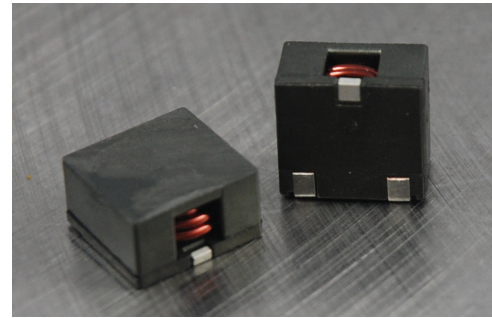
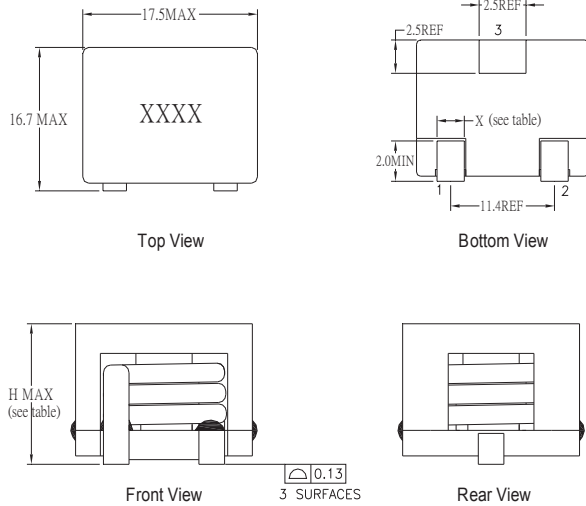


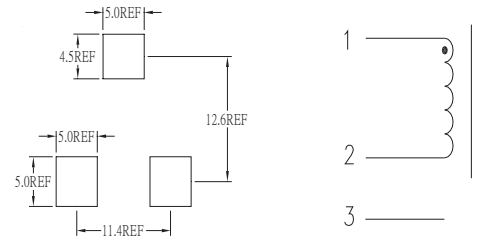


Mechanical Dimensions: (mm)



PCB Layout

Schematics



- **Excellent for High Current Applications**
- **Low Profile**
- **Solder pin 3 added for mounting stability (no connect)**
- **Operating Temp: -40°C to ± 130°C**
- **Inductance Test Frequency: 100Khz, 0.1V**
- **200pcs per 13 inch reel**
- **Marking: EIA Code**

Allied Part Number	Inductance @0Adc (μH ± 20%)	Inductance @Irated (μH)	Irated (A)	DCR (mΩ) Max	Saturation Current Isat (A TYP)		Heating Current Idc (A TYP)	Core Loss Factor	X (±0.5)	H Max
					25°C	100°C				
PCEC1708-R47M	0.47	0.47	40	0.87	80	65	40	20.0	2.5	8.0
PCEC1708-R68M	0.68	0.60	40	0.87	62	48	40	29.0	2.5	8.0
PCEC1708-R85M	0.85	0.74	40	0.87	50	40	40	36.3	2.5	8.0
PCEC1708-1R6M	1.6	1.4	31	1.5	36	30	31	45.5	2.5	10.0
PCEC1708-2R8M	2.8	2.5	24	2.2	28	23	24	59.8	2.5	10.0
PCEC1708-4R5M	4.5	3.6	22	2.9	22	18	22	76.9	2.5	10.0
PCEC1708-6R8M	6.8	5.4	18	3.5	18	15	21	96.8	2.5	10.0
PCEC1708-100M	10.0	7.0	14.5	7.0	14.5	12	16	110.0	1.4	10.0
PCEC1708-110M	11.0	8.8	14	7.0	14	11.5	14	117.5	1.4	10.0
PCEC1708-180M	18.0	15.4	9.8	13.8	11	9	9.8	153.8	1.4	10.0
PCEC1708-250M	25.0	23.5	7.0	19.4	9.2	8	7.0	178.0	1.4	10.0

All specifications subject to change without notice.