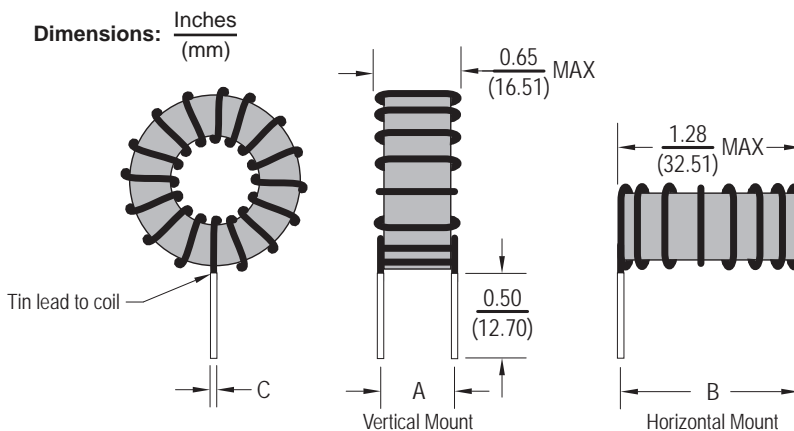
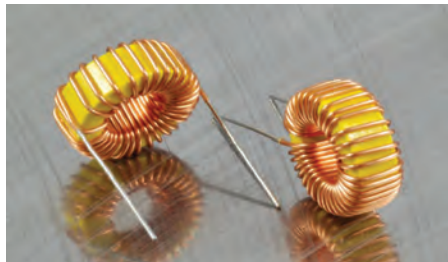




## Toroidal Chokes

## TC230



Allied Part Number	Inductance (μH) @ 1KHZ	Tolerance (%)	L(μH) @	IDC (A)	DCR (Ω) MAX	DIM A (Nom)	DIM B (Nom)	DIM C (Nom)
( )TC230-100L-RC	10	15	6.7	20.0	.005	.56	1.18	.066
( )TC230-120L-RC	12	15	7.8	19.1	.005	.56	1.18	.066
( )TC230-150L-RC	15	15	9.5	18.0	.006	.56	1.18	.066
( )TC230-180L-RC	18	15	11.1	17.2	.006	.56	1.18	.066
( )TC230-220L-RC	22	15	13.2	16.4	.007	.56	1.18	.066
( )TC230-270L-RC	27	15	15.7	15.6	.008	.56	1.18	.066
( )TC230-330L-RC	33	15	21.3	11.7	.013	.53	1.14	.053
( )TC230-390L-RC	39	15	24.7	11.2	.014	.53	1.14	.053
( )TC230-470L-RC	47	15	29.0	10.7	.016	.53	1.14	.053
( )TC230-560L-RC	56	15	33.7	10.2	.017	.53	1.14	.053
( )TC230-680L-RC	68	15	45.2	7.7	.030	.52	1.13	.042
( )TC230-101L-RC	100	15	63.1	7.0	.037	.52	1.13	.042
( )TC230-121L-RC	121	15	73.9	6.7	.040	.52	1.13	.042
( )TC230-151L-RC	150	15	101.4	5.0	.071	.51	1.12	.034
( )TC230-181L-RC	180	15	118.9	4.8	.078	.51	1.12	.034
( )TC230-221L-RC	220	15	123.8	5.8	.054	.56	1.17	.042
( )TC230-271L-RC	270	15	147.2	5.5	.060	.56	1.17	.042
( )TC230-331L-RC	330	15	174.1	5.2	.067	.56	1.17	.042
( )TC230-391L-RC	390	15	200.2	5.0	.072	.56	1.17	.042
( )TC230-471L-RC	471	15	271.4	3.8	.130	.54	1.16	.034
( )TC230-561L-RC	560	15	314.8	3.6	.140	.54	1.16	.034
( )TC230-681L-RC	680	15	370.7	3.4	.150	.54	1.16	.034
( )TC230-821L-RC	820	15	500.9	2.6	.270	.53	1.14	.027
( )TC230-102L-RC	1000	15	593.6	2.4	.300	.53	1.14	.027

Please specify Vertical or Horizontal Mount by placing a V or H at the beginning of the part number, i.e. VTC230-100L (Vertical Mount). All specifications subject to change without notice.

### Features

- Low Magnetic Radiation
- Low Core Loss
- High current capacity up to 20A
- Available in Horizontal or Vertical configuration

### Electrical

**Inductance Range:** 10μH to 1000μH

Additional values available

**Tolerance:** 15% over entire range

**Test Frequency:** 1KHz

**Operating Temp:** -55°C ~ +105°C

**Temp Rise:** ΔT=30°C Typical at rated IDC

### Test Equipment

**(L):** 100 LCR meter or equivalent

**DCR:** Chen Hwa 502

### Physical

**Packaging:** Bulk

**Marking:** None