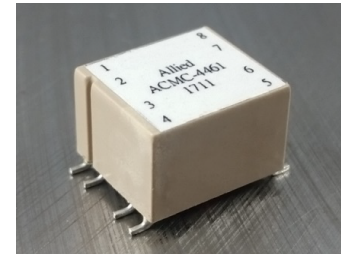




SMD Common Mode Choke

ACMC-4461

- 10 pin, SMD Package
- Applications include: Compact electronic ballasts in lamps and compact switch-mode power supplies
- Operating Temp: -40°C to +105°C



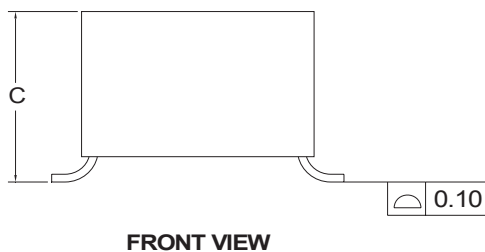
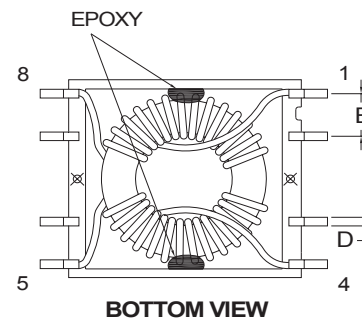
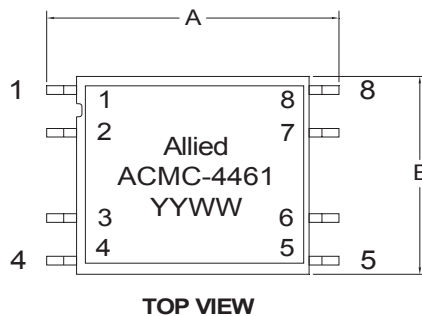
Electrical Specifications @ 25°C

ALLIED PART NUMBER	INDUCTANCE (mH -30%/+50%) @ 10KHz, 0.1V (1-8) = (4-5)	LL @ 10KHz, 0.1V (μH TYP) (1-8) Short Pins (4 and 5)	DCR (mΩ TYP) (1-8) and (4-5)	TURNS RATIO (±3%) (1-8) : (4-5)	HI-POT WDG to WDG 1500 VAC, 5mA, 2S
ACMC-4461	1.6	10	110	1:1	

All specifications subject to change without notice.

MECHANICAL

UNIT: mm



DIMENSIONS

A	B	C	D	E
17.0	13.30	10.50	0.60	2.50
±0.40	MAX	±0.20	±0.10	±0.15

SCHEMATIC

