



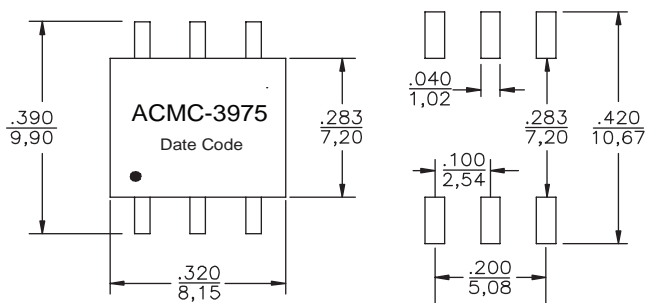
- 6 pin, SMD
- Storage Temp: -55°C to +105°C
- Operating Temp: 0°C to + 70°C
- Maximum IR Solder Temp 260°C

Electrical Specifications @ 25°C

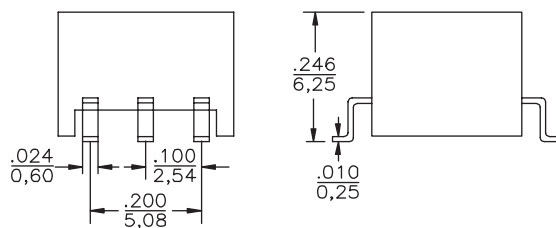
Part Number	OCL(uH Min) @ 100KHz, 0.1V	Turns Ratio (± 2%)	LL @ 100KHz, 0.1V (Max)	Cww @ 100KHz 0.1V (Max)	HI-POT	DCR (Max)
	(1-3) (4-6)	(4-6) : (3-1)	(1 - 3) with (4-6) short	(1-3) to (4-6)	PRI to SEC	PRI to SEC
ACMC-3975	780uH	1:1	0.6uH	35pF	1500 Vrms AC 1mA 6S	0.5Ω

All specifications subject to change without notice.

MECHANICAL (UNIT: mm)



recommend PAD layout



Note: Unless otherwise specified, all tolerances are: ±^{0.12}/_{0.30}

SCHEMATIC

