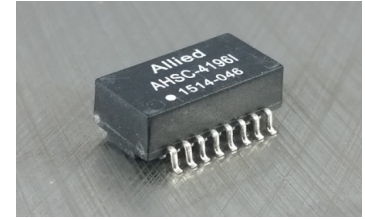




10/100 Base T Single Port PoE Plus Lan Filter

AHSC-4196I

- Designed to meet IEEE802.3at requirements up to 700mA
- Primary Inductance 120µH Min with 19mA DC Bias
- Industrial Temperature: -40°C to +85°C
- Reflow Condition: Maximum reflow temperature is 20~40 sec. (Refer to IPC/JEDEC J-STD-020C standard).



Electrical Specifications @ 25°C

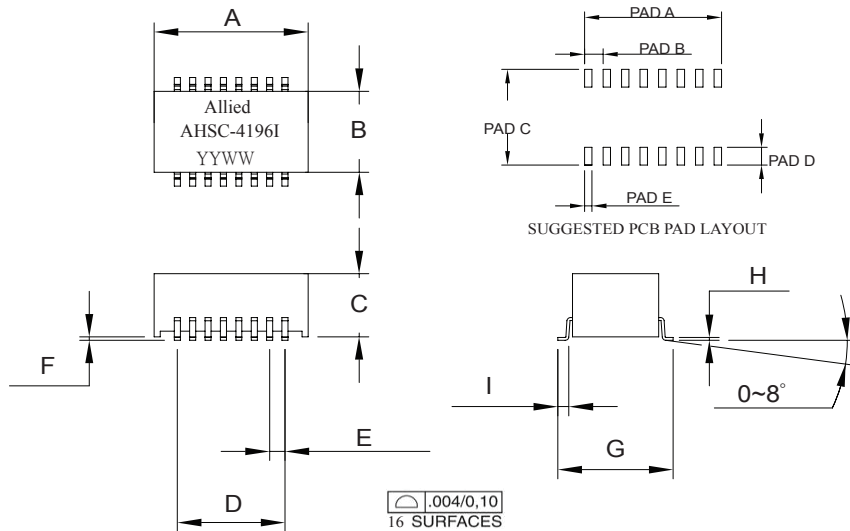
Part Number	OCL(µH Min) @ 100kHz, 200mV with 8mA DC Bias (16-14),(11-9)	Turns Ratio (±2%)		LK @100kHz/0.1V (µH Max)	Cw/w @100kHz/0.1V (pf typ)	DC Resistance (Ω Max)		Isolation Voltage (Vrms)
		TX (16-14):(1-3)	RX (11-9):(6-8)			1-3, 6-8	16-14, 11-9	
AHSC-4196I	350	1:1	1:1	.50	25	-1.2	0.8	1500

Electrical Specifications @ 25°C

Part Number	Insertion Loss (dB Max)		Return Loss (dB Min)			Cross Talk (dB Min)		Cross Talk (dB Min)		
	0.1MHz	1-125MHz	1-30MHz	30-60MHz	60-80MHz	1MHz	10-100MHz	2MHz	30MHz	200MHz
AHSC-4196I	-1.2	-1.4	-16	-12	-10	-50	-33	-45	-30	-7

All specifications subject to change without notice.

MECHANICAL



- Unit : mm/inch
- A=12.80/0.504
 - B=6.80/0.268
 - C=6.20 max/0.244 max
 - D=8.89/0.350
 - E=1.27/0.050
 - F=0.25/0.010
 - G=9.40/0.370
 - H=0.25/0.010
 - I=0.90/0.035
 - PAD-A=9.53/0.375
 - PAD-B=1.27/0.050
 - PAD-C=10.50/0.413
 - PAD-D=1.70/0.067
 - PAD-E=0.76/0.030

SCHEMATICS

Unless otherwise specified, all tolerance are ± 0.25mm / 0.010 inch

