



10/100 BASE-T FIVE PORT THROUGH-HOLE MAGNETICS

- Meets IEEE 802.3af & ANSI X 3.263
- Thru hole construction
- Many parts are PoE enabled
- Standard operating temp: 0°C to +70°C (see footnote)
- Industrial operating temp: -40°C to +85°C (see footnote)

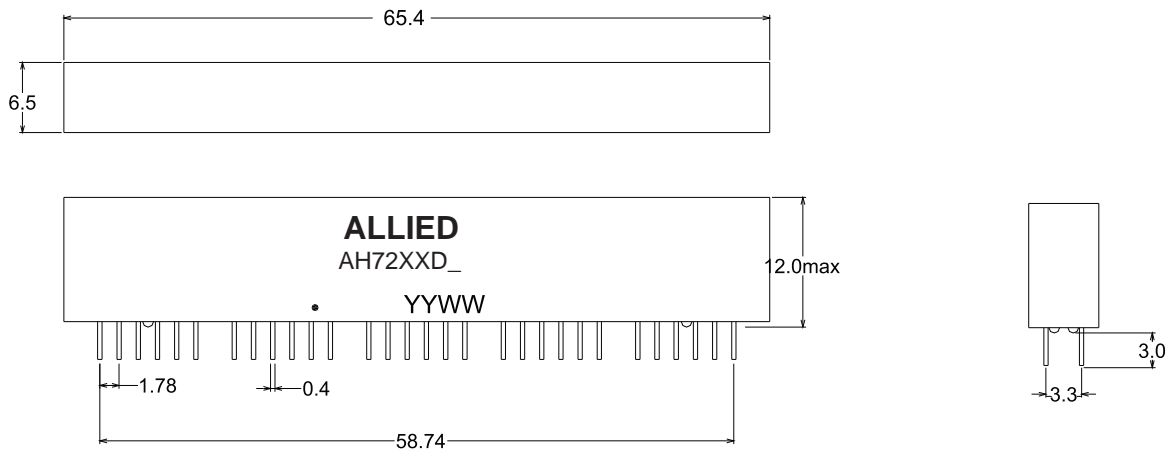
Electrical Specifications @25°C

Part Number	OCL(uH Min) @100KHz, 0.2V	Turns Ratio (±3%)	Insertion Loss (dB Max) 0.5-100MHz	Return Loss (dB Min)			Cross talk (dB Min)		CMRR (dB Min) 0.5-100MHz	HI-POT (Vrms)
	With 8mA DC Bias			0.5-30MHz	30.1-60MHz	60.1-80MHz	0.5-40MHz	40.1-100MHz		
AH7201D_	350	1CT:1CT	1.1	18	18-20*log(f/30)	12	35	33-20*log(f/50)	30	1500
AH7202D_	350	1CT:1CT	1.1	18	18-20*log(f/30)	12	35	33-20*log(f/50)	30	1500
AH7203D_	350	1CT:1CT	1.1	18	18-20*log(f/30)	12	35	33-20*log(f/50)	30	1500

*Complete part number by inserting "S" for Standard Temp or "I" for Industrial Temp.

All specifications subject to change without notice.

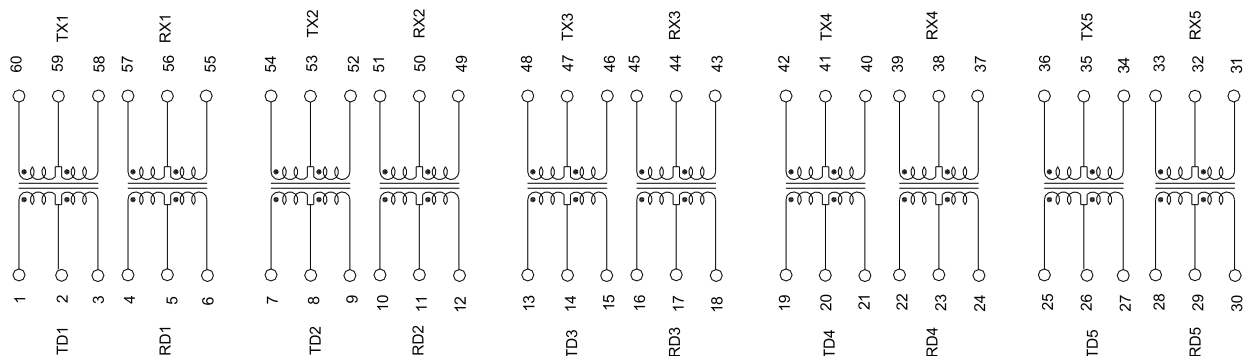
MECHANICAL

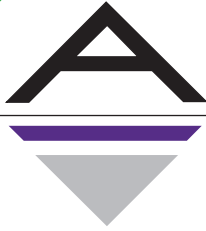


Unless otherwise specified all tolerances are: ±0.25 in mm

SCHEMATICS

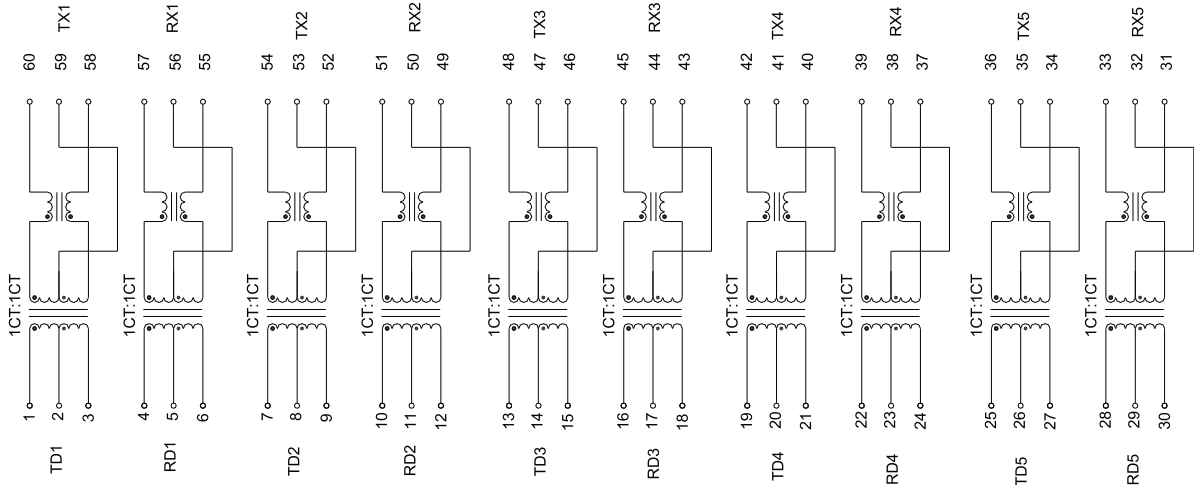
AH7202D_





10/100 BASE-T FIVE PORT THROUGH-HOLE MAGNETICS

AH7201D_



AH7203D_

