



10/100 BASE-T QUAD PORT SURFACE MOUNT MAGNETICS

- Meets IEEE 802.3af & ANSI X 3.263
- Surface mount, open header construction
- Many parts are PoE enabled
- Standard operating temp: 0°C to +70°C (see footnote)
- Industrial operating temp: -40°C to +85°C (see footnote)

Electrical Specifications @25°C

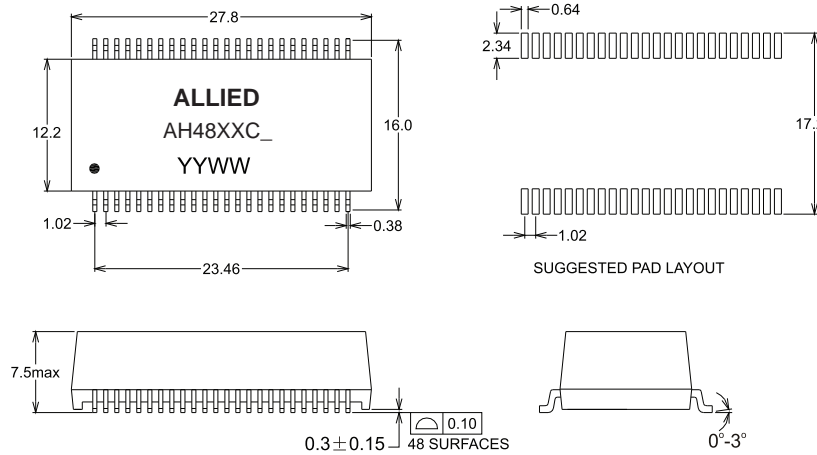
Part Number	OCL(uH Min) @100KHz,0.2V With 8mA DC Bias	Turns Ratio (±3%)	Insertion Loss (dB Max)		Return Loss (dB Min)		Cross talk (dB Min)		CMRR (dB Min)	HI-POT (Vrms)
			0.5-100MHz	0.5-30MHz	30.1-60MHz	60.1-80MHz	0.5-40MHz	40.1-100MHz		
AH4801C_	350	1CT:1CT	1.1	18	18-20*log(f/30)	12	35	33-20*log(f/50)	30	1500
AH4802C_	350	1CT:1CT	1.1	18	18-20*log(f/30)	12	35	33-20*log(f/50)	30	1500

*Complete part number by inserting "S" for Standard Temp or "I" for Industrial Temp.

All specifications subject to change without notice.

MECHANICAL

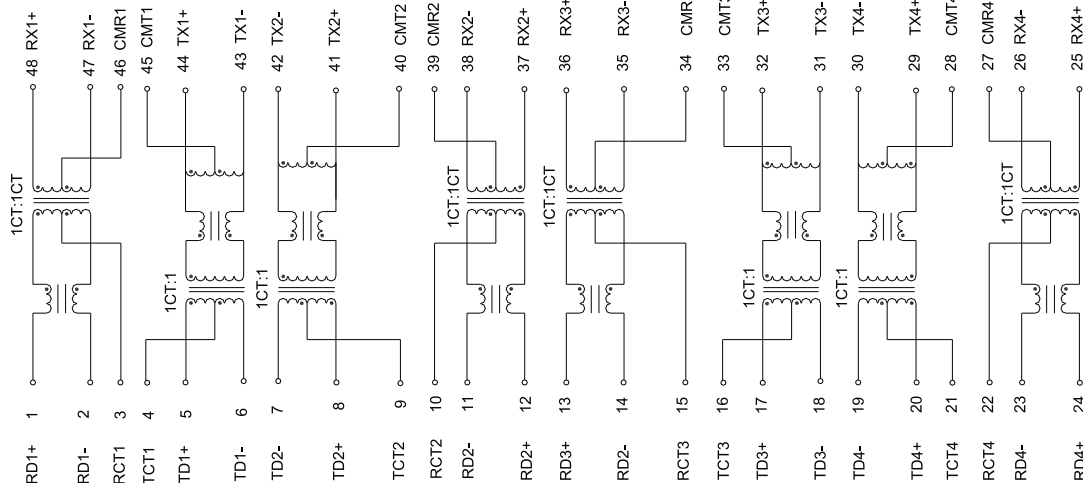
AH4801C_, AH4802C_



Unless otherwise specified all tolerances are: ±0.25 in mm

SCHEMATICS

AH4801C_





10/100 BASE-T QUAD PORT SURFACE MOUNT MAGNETICS

AG4802C_

