



- Designed to meet IEEE802.3 & ANSI X3.263 Standards
- Ethernet based LAN, WAN and other networking applications
- LL: 0.5 μ H @ 100KHz, 0.2V
- Cw/w: 25PF TYP @ 100KHz, 0.2V
- Polarity: 1-16, 6-11, In-Phase
- Operating Temperature: -40°C to +85°C
- Halogen Free



Electrical Specifications @ 25°C

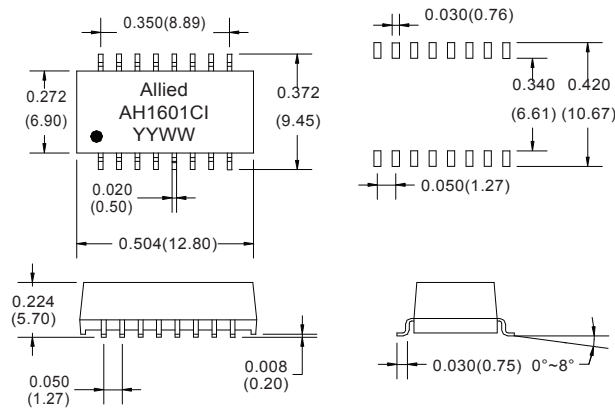
Part Number	OCL(μ H Min) @ 100kHz, 0.2V	Turns Ratio chip: cable (\pm 3%)	Insertion Loss (dB Max)	Return Loss (dB Min)			
	With 8mA DC Bias		0.3-100MHz	0.3-30MHz	40MHz	50MHz	60-80MHz
AH1601CI	350	1CT:1CT	-1.1	-18	-16	-14.5	-12

Electrical Specifications @ 25°C

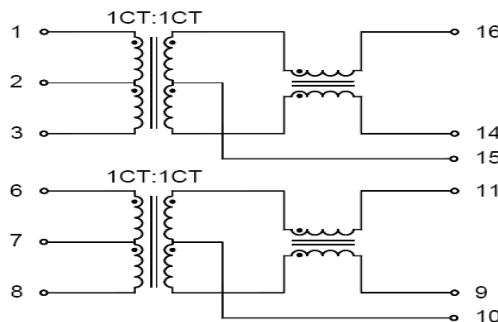
DCR Ω Max	Common Mode Rejection (dB Min)	Cross Talk (dB Min)		HI-POT (Vrms) 60Sec.
	0.5-100MHz	0.5-40MHz	50-100MHz	
1.1	-30	-35	-30	1500

All specifications subject to change without notice.

MECHANICAL

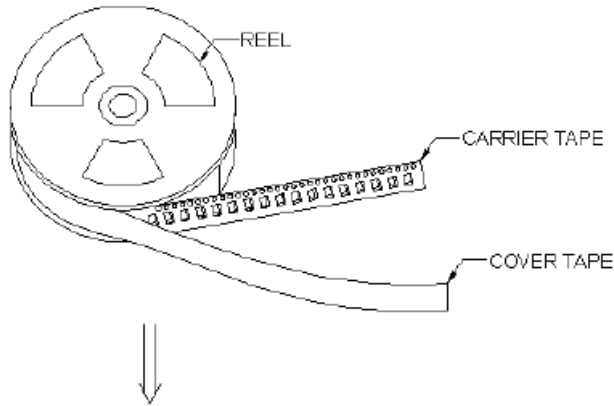


SCHEMATICS





PACKAGING SPECIFICATIONS

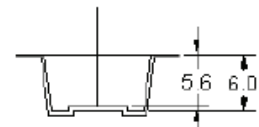
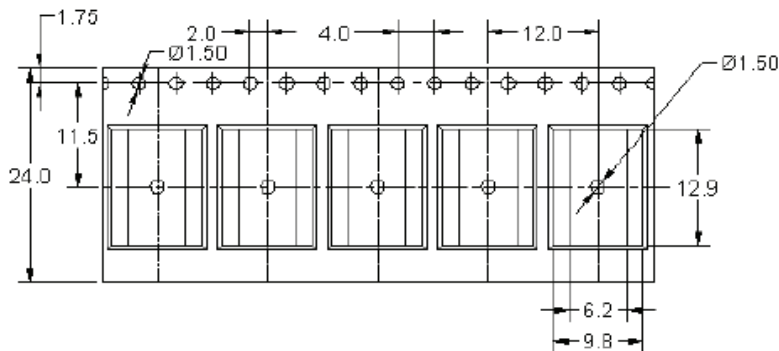
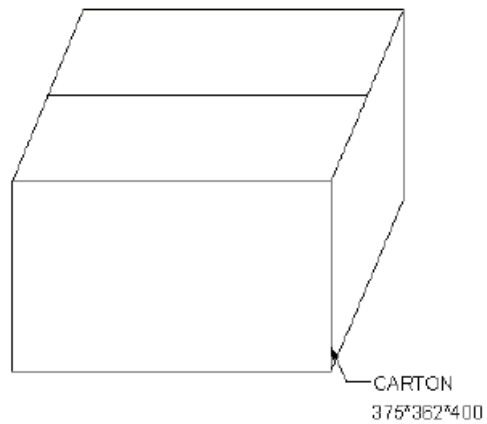
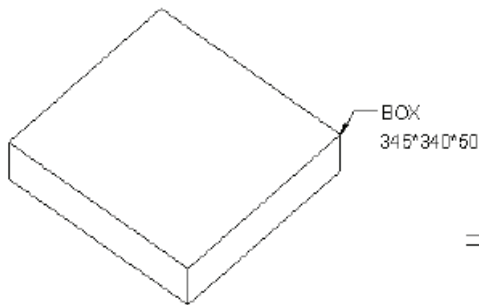


750PCS/REEL

750PCS/BOX

4500PCS/CARTON

N/W: 0.6g/ea



unit:mm