



10/100/1000 BASE-T DUAL PORT THROUGH HOLE MAGNETICS

- Meets IEEE 802.3af & ANSI X 3.263
- Thru hole construction
- Many parts are PoE enabled
- Standard operating temp: 0°C to +70°C (see footnote)
- Industrial operating temp: -40°C to +85°C (see footnote)

Electrical Specifications @25°C

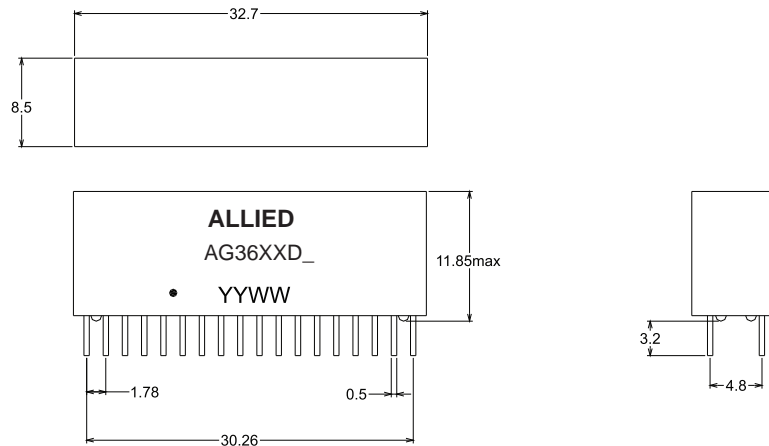
Part Number	OCL(uH Min) @100KHz,0.2V With 8mA DC Bias	Turns Ratio (±3%)	Insertion Loss (dB Max)	Return Loss (dB Min)		Cross talk (dB Min)		CMMRR (dB Min)	HI-POT (Vrms)	
			0.5-100MHz	0.5-40MHz	40.1-100MHz	0.5-40MHz	40.1-100MHz	0.5-100MHz		
AG3601D_	350	1CT:1CT	1.1	18	12-20*log(f/80)		35	33-20*log(f/50)	30	1500
AG3602D_	350	1CT:1CT	1.1	18	12-20*log(f/80)		35	33-20*log(f/50)	30	1500
AG3603D_	350	1CT:1CT	1.1	18	12-20*log(f/80)		35	33-20*log(f/50)	30	1500

*Complete part number by inserting "S" for Standard Temp or "I" for Industrial Temp.

All specifications subject to change without notice.

MECHANICAL

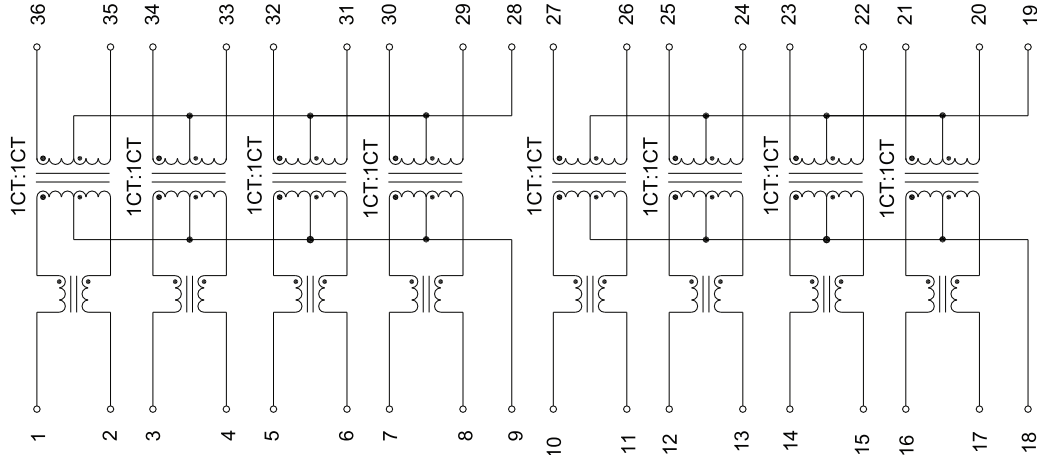
AG3601D_, AG3602D_, AG3603D_



Unless otherwise specified all tolerances are: ±0.25 in mm

SCHEMATICS

AG3602D_





10/100/1000 BASE-T DUAL PORT THROUGH HOLE MAGNETICS

AG3601D_, AG3603D_

