



ADSL LINE TRANSFORMER SURFACE MOUNT MAGNETICS

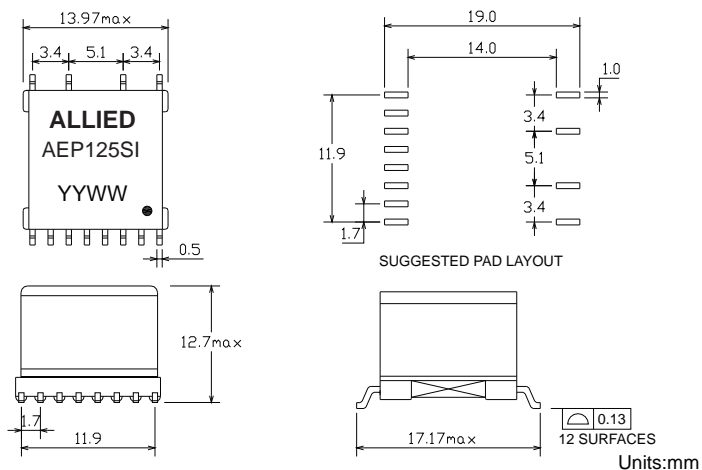
- EN60950 Basic Insulation compliant 250Vrms
- SMD compact foot print design
- Industrial operating temp: -40°C to +85°C

Electrical Specifications @25°C

Part Number	Turns Ratio (10KHz,0.1V)		LL (100KHz,0.1V)		C _{ww} (100KHz,0.1V)			
	AEP125SI	16-9:1-4 (short 11-14,2-3)	16-9:5-8 (short 11-14,6-7)	16-9 (short11-14,1-2-3-4)	16-9 (short11-14,5-6-7-8)	16-1 (short 11-14,2-3)	16-5 (short 11-14,6-7)	1-8 (short 2-3,6-7)
1:1 ±2%		4.28:1 ±2%	3.5 ±uH	10 ±3uH	37.5 ±12 pF	14.5 ±4 pF	22 ±7pF	
Continue								
OCL (10KHz,0.1V)		DCR			THD (30KHz,2Vrms)		Hi-Pot VAC (1mA/1s)	
16-9 (short 11-14)		16-9 (short11-14)		1-4 (short2-3)	5-8 (short6-7)			
400uH ±10%		1.1Ω ±15%		1.1Ω ±15%	1.1Ω ±15%	-80dB max 1875		

All specifications subject to change without notice.

MECHANICAL



Unless otherwise specified all tolerances are: ±0.25 in mm

SCHEMATICS

