



# ADSL LINE TRANSFORMER THROUGH HOLE MAGNETICS

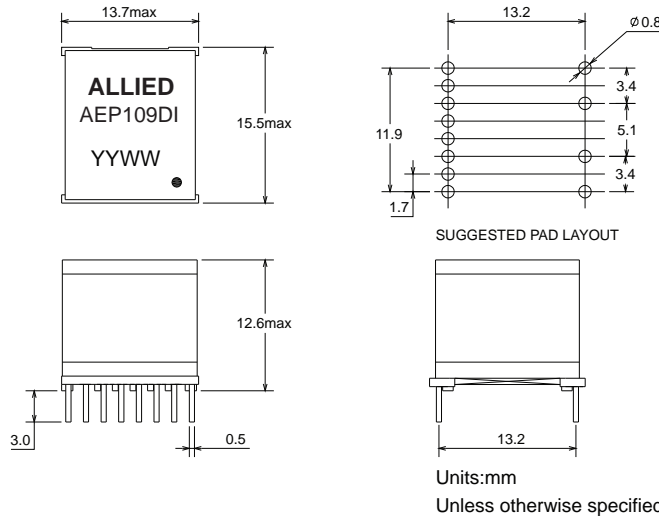
- EN60950 Basic Insulation compliant 250Vrms
- Through Hole compact foot print design
- Industrial operating temp: -40°C to +85°C

## Electrical Specifications @25°C

Part Number	Turns Ratio (10KHz,0.1V)		OCL (10KHz,0.1V)	LL (100KHz,0.1V)					
	AEP109DI	16-9:1-4 (short 11-14,2-3)	16-9:5-8 (short 11-14,6-7)	16-9 (short 11-14)	16-9 (short 11-14,1-2-3-4-5-6-7-8)	1-4 (short 2-3,5-6-7-8,9-11-14-16)	5-8 (short 6-7,1-2-3-4,9-11-14-16)		
4:1 ±2%		2:1 ±2%	700uH ±10%	18uH max	1.8uH max	7.0uH max			
Continue									
Cww (100KHz,0.1V)			DCR			THD	LB	Hi-Pot VAC	
1-16 (short 2-3,11-14)		5-16 (short 6-7,11-14)	1-8 (short 2-3,6-7)	16-9 (short 11-14)	1-4 (short 2-3)	5-8 (short 6-7)	(20KHz,5.3Vrms)	(35KHz-650KHz)	(1mA/60s)
50pF max	50pF max	40pF max	5.0Ω max	1.38Ω max	2.1Ω max	-90dB max	55dB min	4000	

All specifications subject to change without notice.

## MECHANICAL



## SCHEMATICS

