

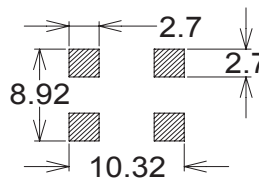
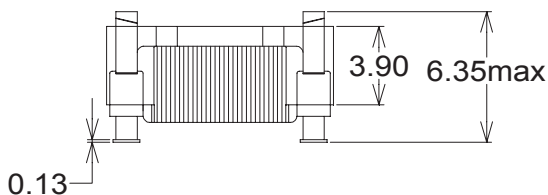
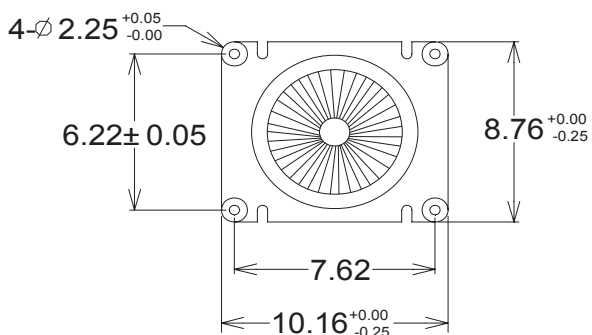
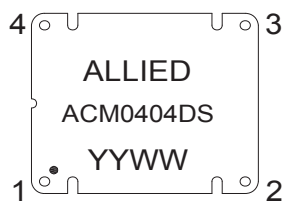


- Common mode choke for power application
- High Impedance to minimize common mode noise
- Excellent EMI performance
- Operating temperature range: 0°C to +70°C

Electrical Specifications @ 25°C					
Part Number	OCL @100KHz,0.1V (uH ±40%)	DCR (Ω max)	Impedance (Ω max)	IDC (mA max)	Irms (mA max)
ACM0404DS	470	0.07	1750	900	25

All specifications subject to change without notice.

MECHANICAL



Unless otherwise specified all tolerances are: ±0.25 in mm

SCHEMATICS

