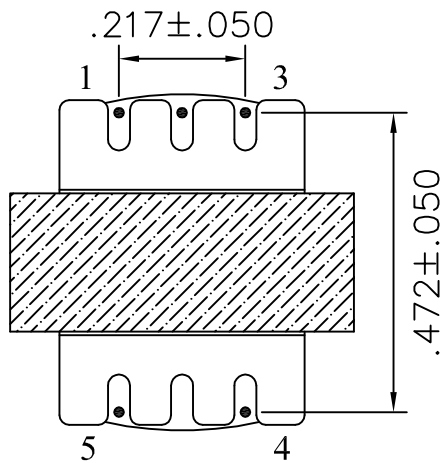
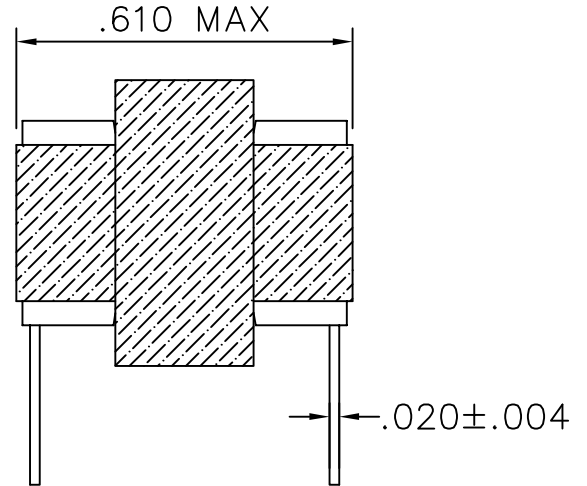
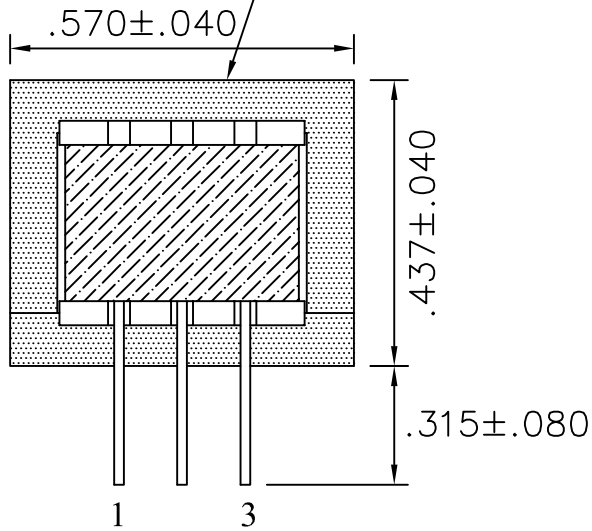


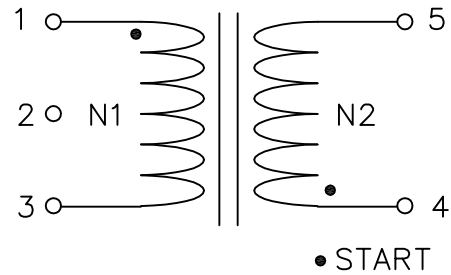
**DIMENSIONS: (mm)**

MARKING: Allied  
CS4605-RC  
XXXX



BOTTOM VIEW

**SCHEMATIC**



NOTE:  
1.CORE FIX TAPE 2TS.

| Rev. | Date | Description | By |
|------|------|-------------|----|
|      |      |             |    |
|      |      |             |    |
|      |      |             |    |
|      |      |             |    |

Part Number: CS4605-RC  
Description: Flyback Transformer  
RoHS Compliant



19671 Descartes  
Foothill Ranch, CA 92610  
Ph: (949) 356-1780

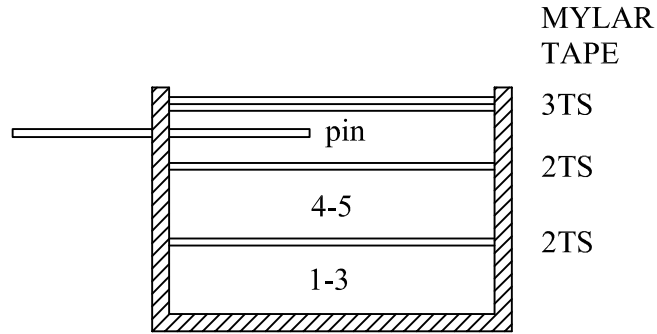
[www.alliedcomponents.com](http://www.alliedcomponents.com)

Date: January 16, 2019

Page: 1 of 2



**WINDING CONSTRUCTION:**



**ELECTRICAL SPECIFICATIONS: @ 25°C TEST**

INDUCTANCE: 1KHz/1V (MICROTEST-6377) @25°C

1 - 3 : 2.0 H MIN.

4 - 5 : 200 uH MIN.

DCR: CH-502A @25°C

1 - 3 : 1.0 KOHM MAX.

4 - 5 : 0.8 OHM MAX.

HI-POT TEST :

PRI TO SEC : AC 500V 3mA FOR 1 MINUTE.

COIL TO COIL : AC 500V 3mA FOR 1 MINUTE.

GAP : CORE NO GAP.

OPERATION TEMP RANGE : -20°C ~ +80°C including temp rise.

| Rev. | Date | Description | By |
|------|------|-------------|----|
|      |      |             |    |
|      |      |             |    |
|      |      |             |    |
|      |      |             |    |

Part Number: CS4605-RC  
 Description: Flyback Transformer  
 RoHS Compliant



19671 Descartes  
 Foothill Ranch, CA 92610  
 Ph: (949) 356-1780

[www.alliedcomponents.com](http://www.alliedcomponents.com)

Date: January 16, 2019

Page: 2 of 2

