



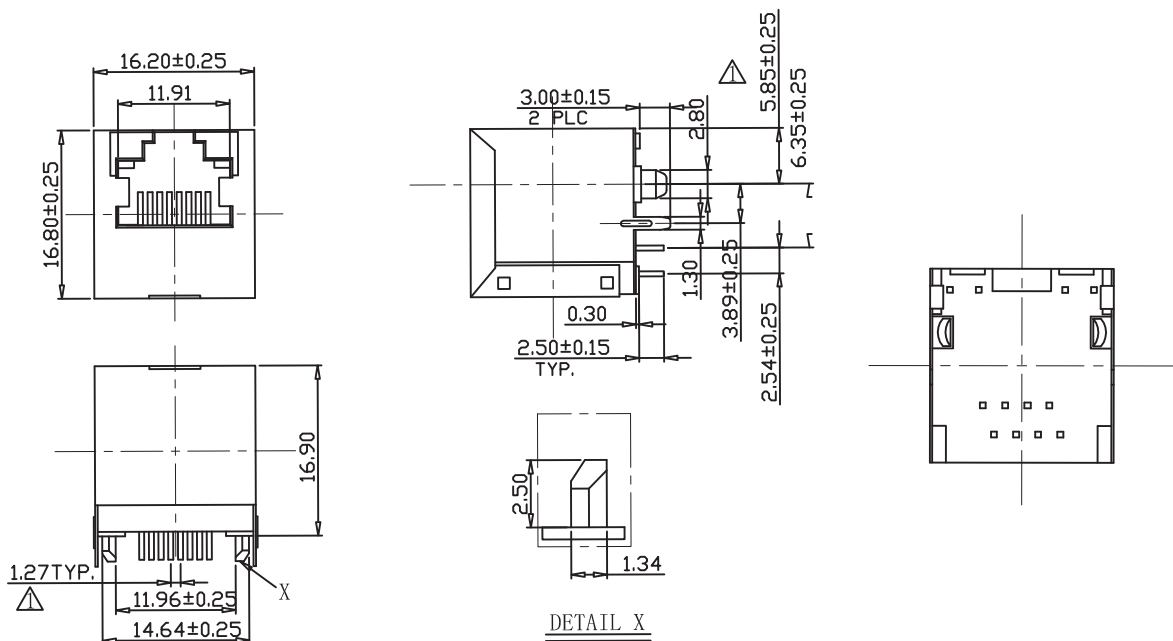
- 10/100 Base-T for Ethernet Applications
- Impedance: 100OHMS
- RJ45 jack cavity conforms to FCC rules and regulations Part 68, SUB Part F
- Standard Operating Temp: 0°C to +70°C
- Available in other Circuit Designs
- Optional Gold Plating Thickness

Electrical Specifications @ 25°C				
Part Number	OCL(uH Min) @ 100kHz, 0.1V With 8mA DC Bias	Turns Ratio chip: cable (±2%)	Insertion Loss (dB Max)	HI-POT (Vrms) (VDC) 1.0mA 1500(2250)
			1-100MHz	
ARV11-3819	350	1CT:1CT	-1.0	

Electrical Specifications @ 25°C										
Cross Talk (dB Min)				Return Loss (dB Min) @ Load 100 ohm				CDMR (dB Min)		
0.5-10MHz	30MHz	50MHz	100MHz	1-30MHz	40MHz	50MHz	60-80MHz	1-30MHz	30-60MHz	60-100MHz
-48.5	-39	-35	-29.5	-18	-16.5	-14.7	-11.5	-40	-35	-30

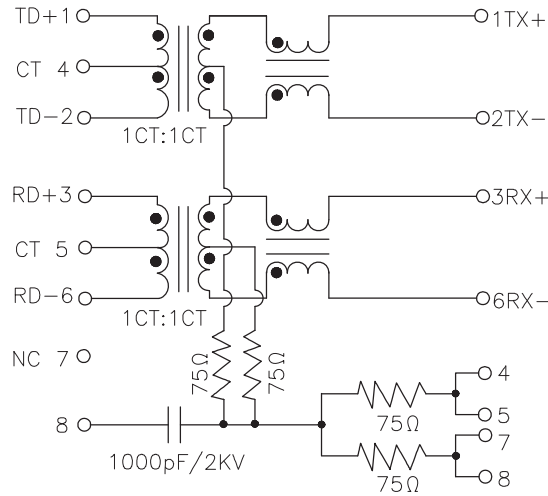
All specifications subject to change without notice.

## MECHANICAL

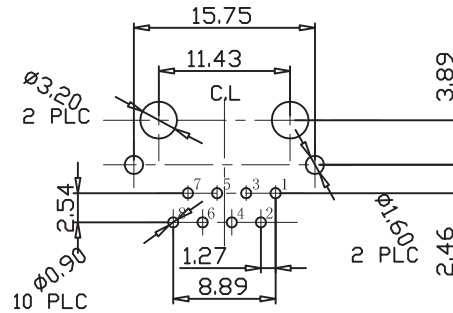




**SCHEMATICS**



**PCB LAYOUT**



PCB Layout  
Ref.

**NOTES**

1. Shield- 0.20mm THICKNESS BRASS C2680 H. PLATING NICKEL 20" Min
2. Housing- Standard Material Nylon66, Glass filled Polyester UL94V-0 Standard Color Black.
3. RJ Terminal- Plastic: Nylon 66, UL94V-0, Standard Color Black.  
Pin: 0.35mm Thickness Phos-Bronze C5210 EH.  
Plating: Nickel 40u"-60u" for all and Sn 100%, and 30u" Gold Plating.
4. Input Terminal: Nylon66, Glass Filled, UL94V-0, Standard Color Black.  
Pin: 0.35mm C2680  
Plating: Nickel 40u"-60u" for all and Sn 100%.