



- 10/100 Base-T for Ethernet Applications
- DCR: Pins(J6, J2) = (J2,J1)= 1.2 OHMs Max
- Rise Time: RS=100 OHMs and RL=100 OHMs
- Output Voltage=1 V, Peak=3.0 nS Max, Pulse Width=112 nS=3.0 nS Max
- RJ45 jack cavity conforms to FCC rules and regulations Part 68, SUB Part F
- Standard Operating Temp: -40°C to +85°C
- Available in other Circuit Designs
- Optional Gold Plating Thickness

Electrical Specifications @ 25°C

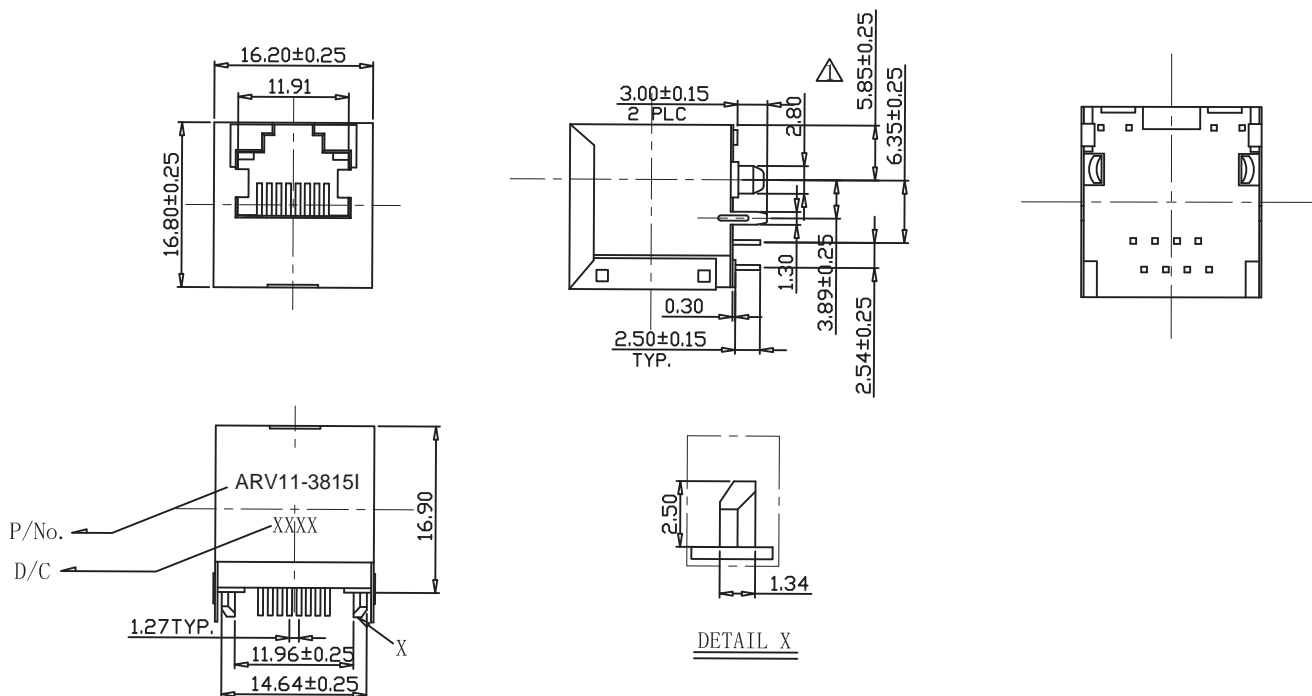
Part Number	OCL(uH Min) @ 100kHz, 0.1V	Turns Ratio chip: cable (1000KHzm, 0.1V)	Insertion Loss (dB Max) 1-100MHz	Return Loss (dB Min)		Cross Talk (dB Min) 1-100MHz
	With 8mA DC Bias			1-100MHz	60-80MHz	
ARV11-3815I	350	1CT:1CT±3%	-1.0	-18	-12	-30

Electrical Specifications @ 25°C

Part Number	Common to Common Mode Attenuation (dB Min)	Interwinding Capacitance @ 1MHz Max	HI-POT (Vac) 60 sec. 1500
	ARV11-3815I	30-100MHz -35	(P6, P5, P4) TO (J6, J3)=30 pf (P3, P2, P1) TO (J2, J1)=30 pf

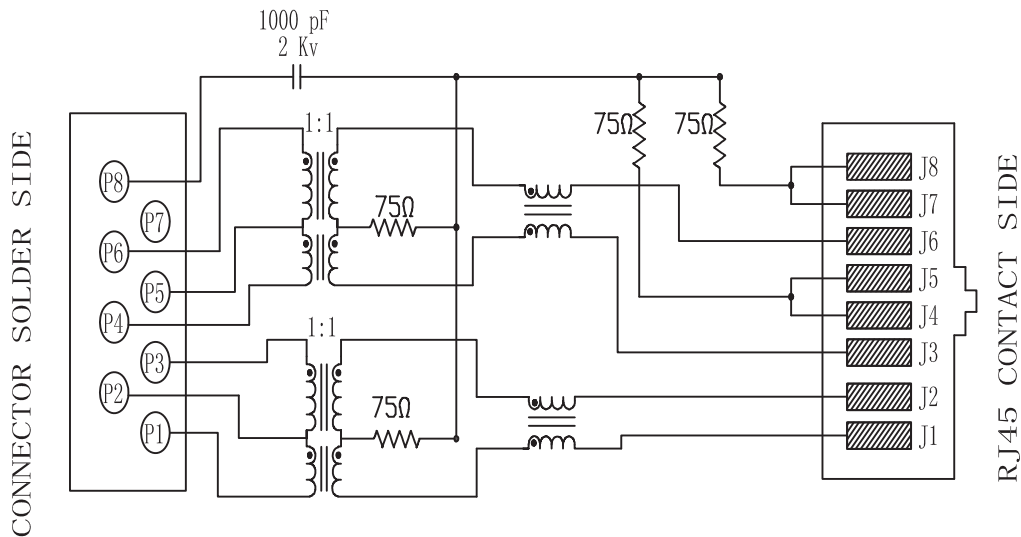
All specifications subject to change without notice.

MECHANICAL



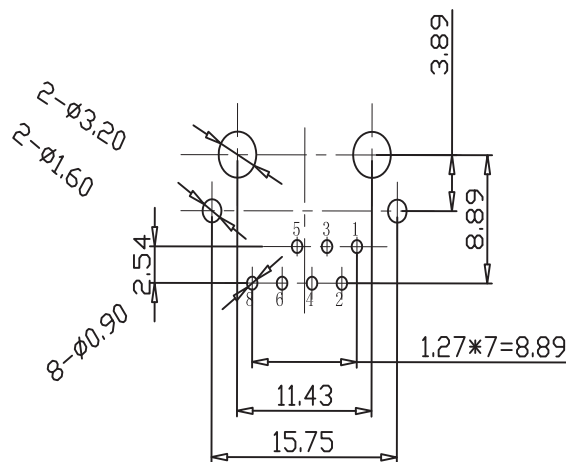


SCHEMATICS



NOTES:1.0 PINS WITHOUT ELECTRICAL CONNECTION ARE OMITTED

PCB LAYOUT



NOTES

- HOUSING-LCP UL94V-0
- HEAT DEFLECTION TEMP 265°
- STANDARD COLOR-BLACK
- CONTACTS-0.35mm THICK PHOS-BRONZE
PLATED WITH HARD GOLD AND
TIN IN SOLDER AREA
- SHIELD-0.25mm THICK COPPER ALLOY
PLATED WITH NICKEL