

- 10/100 Base-T for Ethernet Applications
- DCR: Pins(J6, J2) = (J2,J1)= 1.2 OHMs Max
- Rise Time: RS=100 OHMs and RL=100 OHMs
- Output Voltage=1 V, Peak=3.0 nS Max, Pulse Width=112 nS=3.0 nS Max
- RJ45 jack cavity conforms to FCC rules and regulations Part 68, SUB Part F
- Standard Operating Temp: 0°C to +70°C
- Available in other Circuit Designs
- Optional Gold Plating Thickness

Electrical Specifications @ 25°C

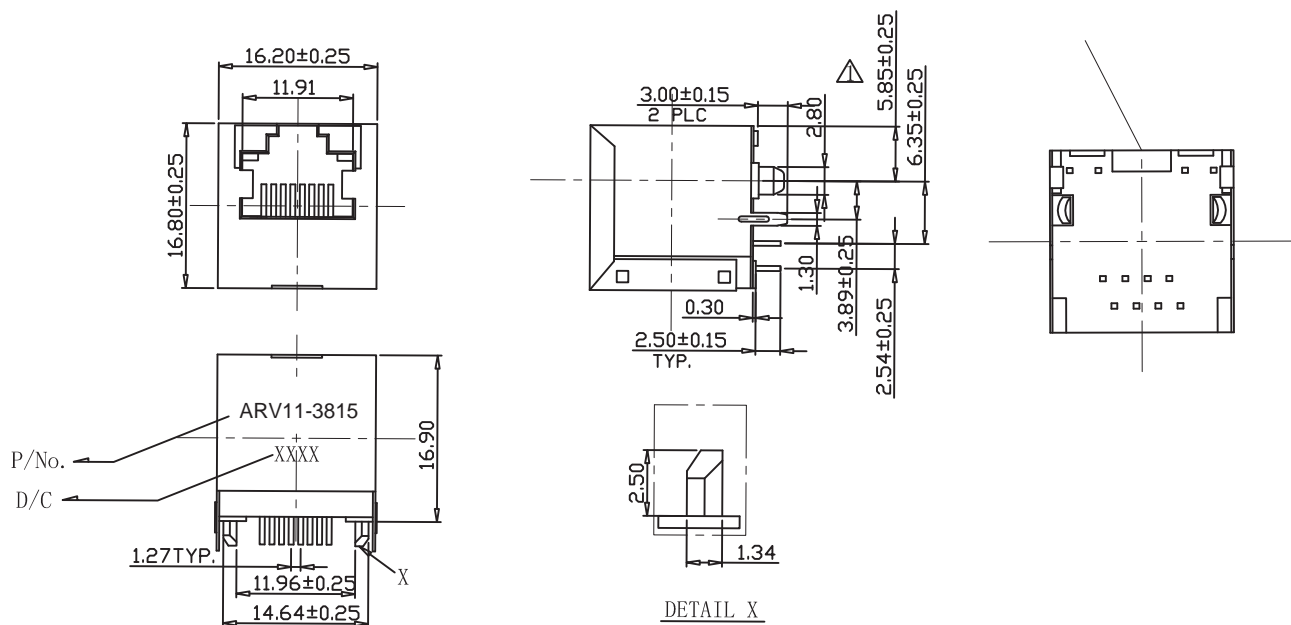
Part Number	OCL(μH Min) @ 100kHz, 0.1V	Turns Ratio chip: cable (1000KHzm, 0.1V)	Insertion Loss (dB Max)	Return Loss (dB Min)		Cross Talk (dB Min)
	With 8mA DC Bias			1-100MHz	60-80MHz	
ARV11-3815	350	1CT:1CT±3%	-1.0	-18	-12	-30

Electrical Specifications @ 25°C

Part Number	Common to Common Mode Attenuation (dB Min)	Interwinding Capacitance @ 1MHz Max	HI-POT (Vac) 60 sec. 1500
	ARV11-3815	30-100MHz -35	(P6, P5, P4) TO (J6, J3)=30 pf (P3, P2, P1) TO (J2, J1)=30 pf

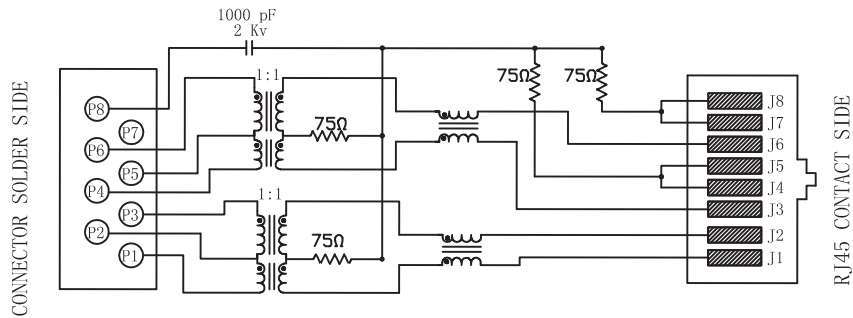
All specifications subject to change without notice.

MECHANICAL



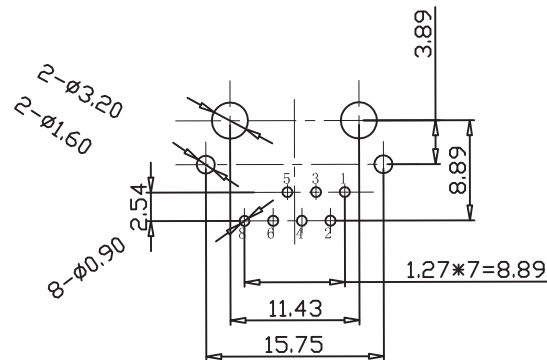


SCHEMATICS



NOTES: 1. 0 PINS WITHOUT ELECTRICAL CONNECTION ARE OMITTED

PCB LAYOUT



NOTES

- 1. Shield- 0.25mm Thickness Copper Alloy
PLATING NICKEL
- 2. Housing- LCP UL94V-0
Heat Deflection Temp 265° Standard Color Black.
- 3. Contacts - 0.35mm Thickness Phos-Bronze plated with Hard
30u Gold and Tin in Solder Area
Pin: 0.35mm Thickness Phos-Bronze C5210 EH.