

- 1000 Base-T for Ethernet Applications
- Low Profile
- Designed to meet IEEE802.3af standards
- Standard Temp: 0°C to + 70°C
- Contact Factory Industrial Temp.

Electrical Specifications @ 25°C

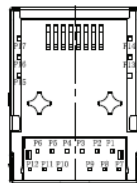
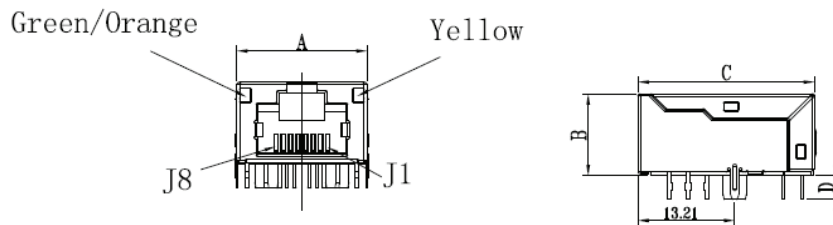
Part Number	OCL(uH Min) @ 100kHz, 0.1V	Turns Ratio chip: cable (± 5%)	Cross Talk (dB Min)	Common to Common Mode (dB Min)	Isolation
	With 8mA DC Bias		1-100MHz	1-100MHz	PHY Side to Line Side
ARLP11-4169	350	1CT:1CT	-30	-30	2250VDC

Electrical Specifications @ 25°C

Part Number	Insertion Loss (dB Max)		Return Loss (dB Min) @ Load 100 Ohm			
	1-100MHz	100-125 MHz	1-40MHz	40-60MHz	60-80MHz	80-100MHz
ARLP11-4169	-1.0	-1.2	-16	-12	-10	-8

All specifications subject to change without notice.

MECHANICAL

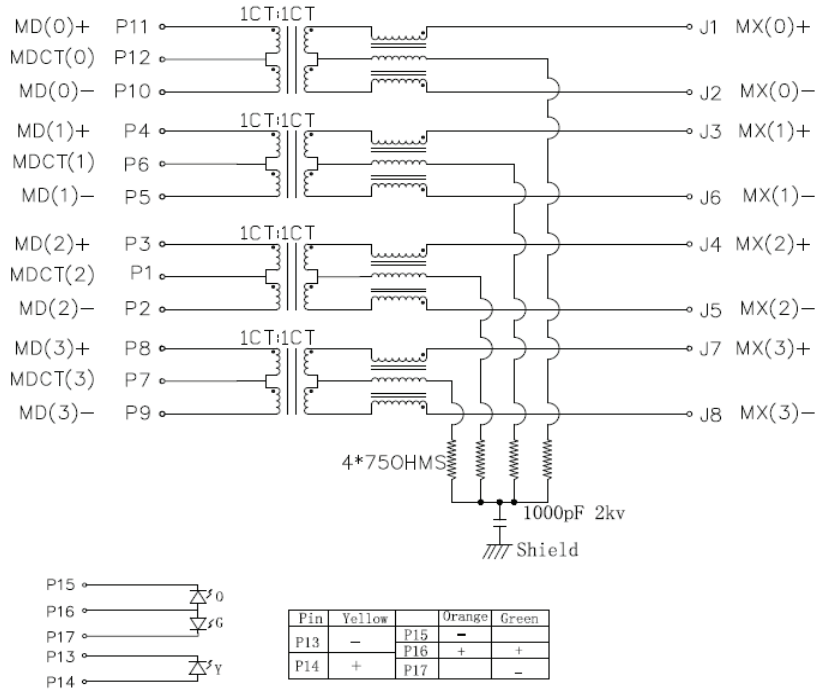


UNIT : mm / inch
 A = 17.78 / 0.700
 B = 11.30 / 0.445
 C = 24.13 / 0.950
 D = 3.30 / 0.130

Unless otherwise specified, all dimensions tolerances is ±0.254 / 0.010.

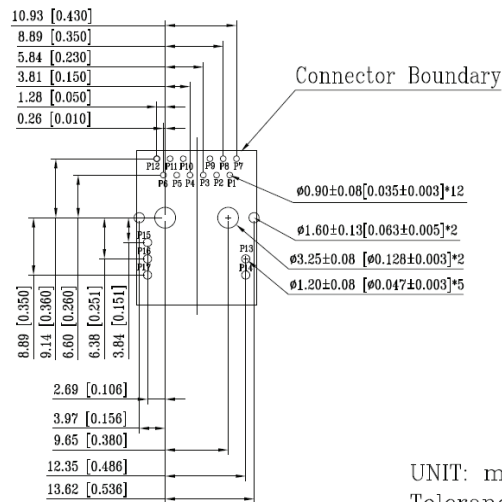


SCHEMATICS



PCB LAYOUT

Recommended PWB Layout (Component Side View):



UNIT: mm / inch
Tolerances: ± 0.10 / 0.004

Plug In Side