



Single Port RJ45 CONNECTOR WITH INTEGRATED MAGNETICS, TAB DOWN

- 10/100/1000 Base-T Ethernet Application
- Meets IEEE 802.3 & ANSI X 3.263 standards
- Impedance: 100OHMS
- Transmit open circuit inductance (OCL): 350uH (MIN) @100KHz,0.1VRMS with 8mA DC Bias
- Always EU RoHS/ELV Compliant, wave solder capable to 265°C
- RJ45 jack cavity conforms to FCC rules and regulations Part 68, SUB Part F
- Standard operating temp: 0°C to +70°C

Electrical Specifications @ 25°C

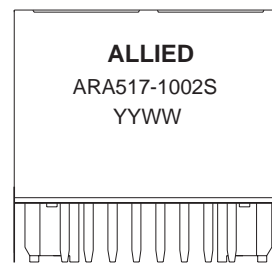
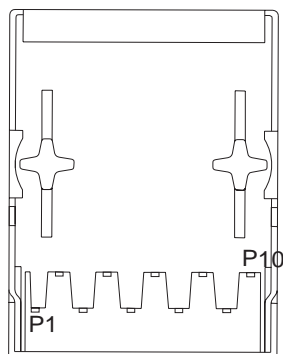
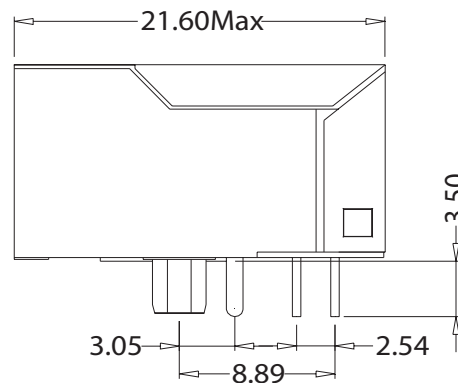
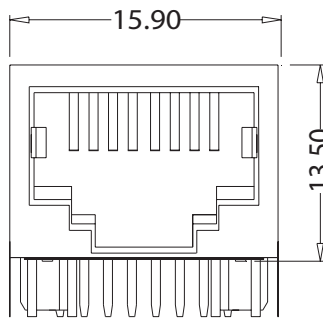
Part Number	OCL(uH min) @100KHz/0.1V w/ 8mA DC Bias	Turns Ratio chip: cable (±3%)	EMI Fingers	LED (L/R)	Insertion Loss (dB Max)			Return Loss (dB Min)		Cross talk (dB Min)		CMRR (dB Min)	HI-POT (VDC)
					0.5-100MHz	0.5-40MHz	40.1-100MHz	0.5-40MHz	40.1-100MHz	0.5-100MHz			
ARA517-1002S	350	1CT:1CT	NO	NO	1.1	18	12-20*LOG(f/80)	35	33-20*LOG(f/50)	30	2250		

All specifications subject to change without notice.

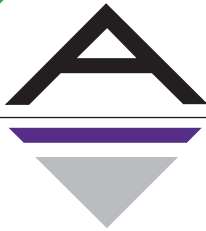
MECHANICAL

Unless otherwise specified all tolerances are: ±0.25 in mm

ARA517-1002S



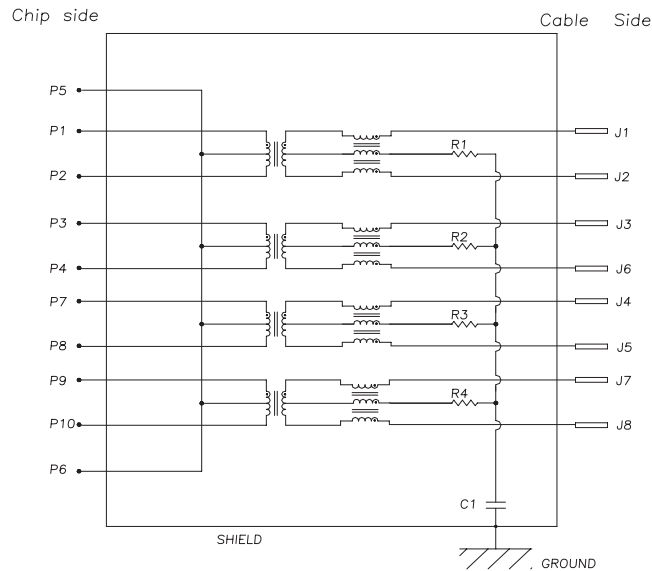
Back View



Single Port RJ45 CONNECTOR WITH INTEGRATED MAGNETICS, TAB DOWN

SCHEMATICS

ARA517-1002S



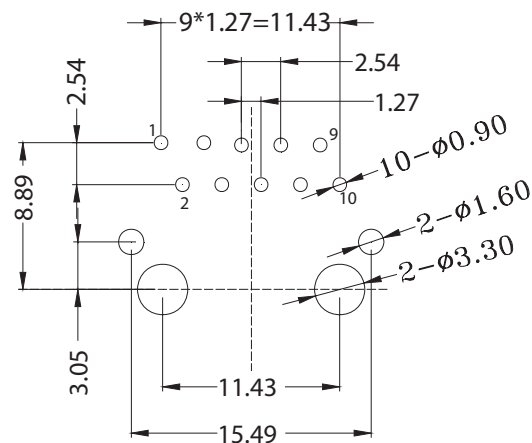
Notes:

1. R1-R4=75OHMS, 1/16W, 5% Resistors.
2. C1=1000pF, 2KV Decoupling Capacitor.

PCB LAYOUT

ARA517-1002S

Unless otherwise specified all tolerances are: ± 0.05 in mm



MATERIALS

ARA517-1002S

- Housing: PBT, Flammability Rating 94V-O.
- Shell: C2680 Brass, 0.20mm thick, 50u" Min nickel plating.
- Mod Jack Contacts: Phosphor Bronze, 0.35mm thick, 6u" Gold plated.