



1x4 Ganged RJ45 CONNECTOR WITH INTEGRATED MAGNETICS, TAB DOWN

- 10/100/1000 Base-T Ethernet Application
- Meets IEEE 802.3 & ANSI X 3.263 standards
- Impedance: 100OHMS
- Transmit open circuit inductance (OCL): 350uH (MIN) @100KHz,0.1VRMS with 8mA DC Bias
- Always EU RoHS/ELV Compliant, wave solder capable to 265°C
- RJ45 jack cavity conforms to FCC rules and regulations Part 68, SUB Part F
- Standard operating temp: 0°C to +70°C

Electrical Specifications @ 25°C

| Part Number | OCL(uH Min) @ 100kHz, 0.1V With 8mA DC Bias | Turns Ratio chip: cable (±3%) | Insertion Loss (dB Max) | Return Loss (dB Min) | |
|--------------|---|-------------------------------------|----------------------------|-------------------------|-----------------|
| | 0.5-100MHz | | 0.5-40MHz | 40.1-100MHz | |
| ARA502-5302S | 350 | 1CT:1CT | 1.1 | 18 | 12-20*log(f/80) |

Electrical Specifications @ 25°C

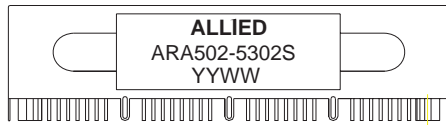
| Part Number | EMI Fingers | LED (L/R) | Cross Talk (dB Min) | | CMRR (dB Min) 0.5-100MHz | HI-POT (VDC) |
|--------------|----------------|--------------|------------------------|-----------------|--------------------------------|-----------------|
| | | | 0.5-40MHz | 40.1-100MHz | | |
| ARA502-5302S | NO | NO | 35 | 33-20*log(f/50) | 30 | 2250 |

All specifications subject to change without notice.

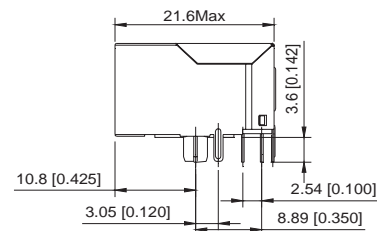
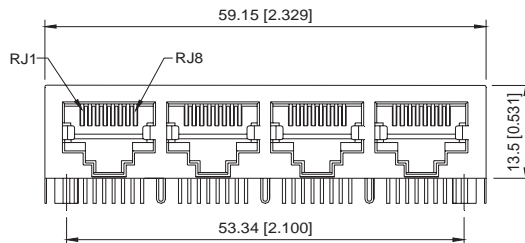
MECHANICAL

Unless otherwise specified all tolerances are: ±0.25 in mm

ARA502-5302S



Back view

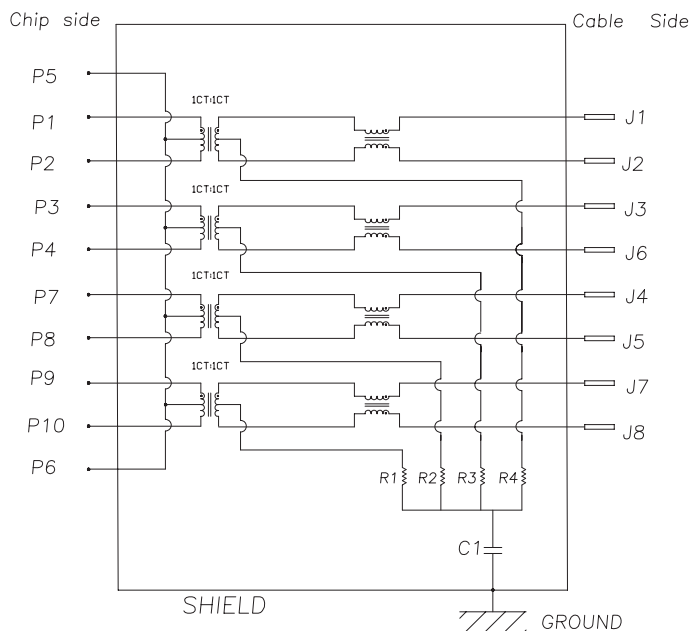




1x4 Ganged RJ45 CONNECTOR WITH INTEGRATED MAGNETICS, TAB DOWN

SCHEMATICS

ARA502-5302S



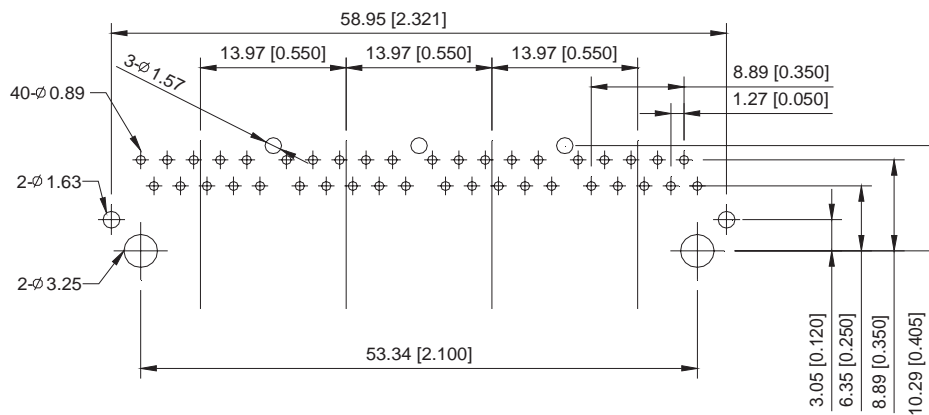
Notes:

1. R1-R4=75OHMS,1/16W,5%Resistors.
2. C1=1000pF,2KV Decoupling Capacitor.

PCB LAYOUT

ARA502-5302S

Unless otherwise specified all tolerances are: ± 0.05 in mm



MATERIALS

ARA502-5302S

- Housing: PBT, Flammability Rating 94V-O.
- Shell: C2680 Brass, 0.20mm thick, 50u" Min nickel plating.
- Mod Jack Contacts: Phosphor Bronze, 0.35mm thick, 6u" Gold plated.