



Single Port RJ45 CONNECTOR WITH INTEGRATED MAGNETICS, TAB DOWN

- 10/100 Base-T Ethernet Application
- Meets IEEE 802.3 & ANSI X 3.263 standards
- Impedance: 100OHMS
- Transmit open circuit inductance (OCL): 350uH (MIN) @100KHz,0.1VRMS with 8mA DC Bias
- Rise Time: 2.5 nano-seconds from 10 to 90 percent
- Always EU RoHS/ELV Compliant, wave solder capable to 265°C
- RJ45 jack cavity conforms to FCC rules and regulations Part 68, SUB Part F
- Standard operating temp: 0°C to +70°C (see footnote)
- Industrial operating tempo: -40°C to +85°C (see footnote)

Electrical Specifications @ 25°C								
Part Number	OCL(uH min) @100KHz/0.1V w/ 8mA DC Bias	Turns Ratio chip: cable (±3%)	EMI Fingers	LED (L/R)	Insertion Loss (dB Max)	Return Loss (dB Min)		
						0.5-100MHz	0.5-30MHz	30.1-60MHz
ARA065-0402_	350	1CT:1CT	NO	NO	1.1	18	18-20*LOG(f/30)	12

Electrical Specifications @ 25°C				
Part Number	Cross talk (dB Min)		CMRR (dB Min)	HI-Pot (VDC)
	0.5-40MHz	0.5-40MHz	0.5-100MHz	
ARA065-0402_	35	33-20*LOG(f/50)	30	2250

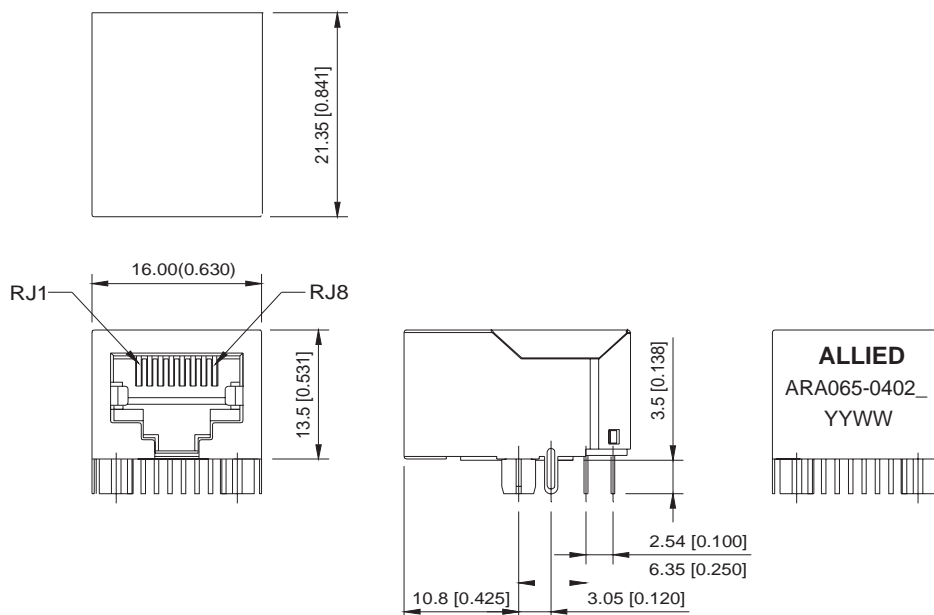
*Complete part number by inserting "S" for Standard Temp. or "I" for Industrial Temp.

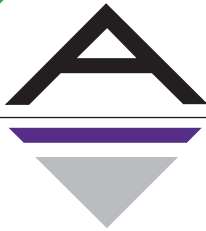
All specifications subject to change without notice.

MECHANICAL

Unless otherwise specified all tolerances are: ±0.25 in mm

ARA065-0402_



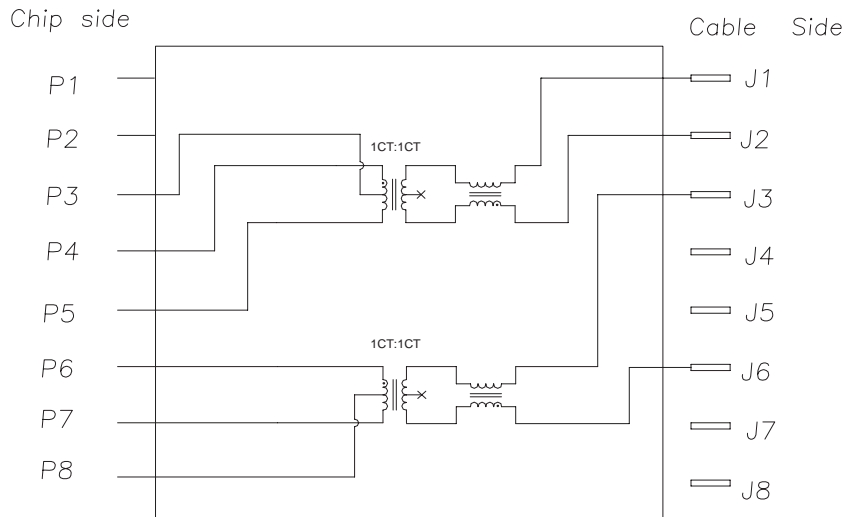


**Single Port RJ45 CONNECTOR
WITH INTEGRATED MAGNETICS, TAB DOWN**

SCHEMATICS

ARA065-0402_

065 CIRCUIT



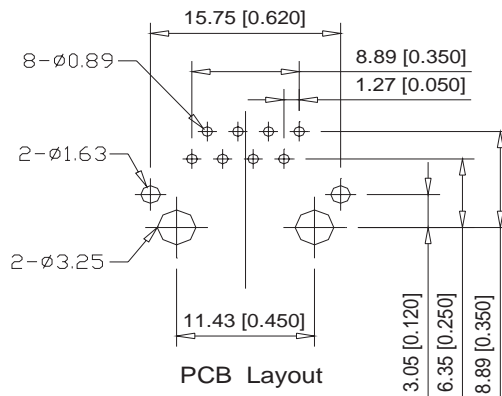
Notes:

- 1. R1-R4=75OHMS, 1/16W, 5% Resistors.
- 2. C1=1000pF, 2KV, Decoupling Capacitor.

PCB LAYOUT

Unless otherwise specified all tolerances are: ±0.05 in mm

ARA065-0402_



MATERIALS

- **Housing:** PBT, Flammability Rating 94V-O.
- **Shell:** C2680 Brass, 0.20mm thick, 50u" Min nickel plating.
- **Mod Jack Contacts:** Phosphor Bronze, 0.35mm thick, 6u" Gold plated.