



- 10/100/1000 Base-T for Ethernet Applications
- Industrial Temp: 40°C to + 85°C
- Available in other Circuit Designs
- Optional Gold Plating Thickness

Electrical Specifications @ 25°C

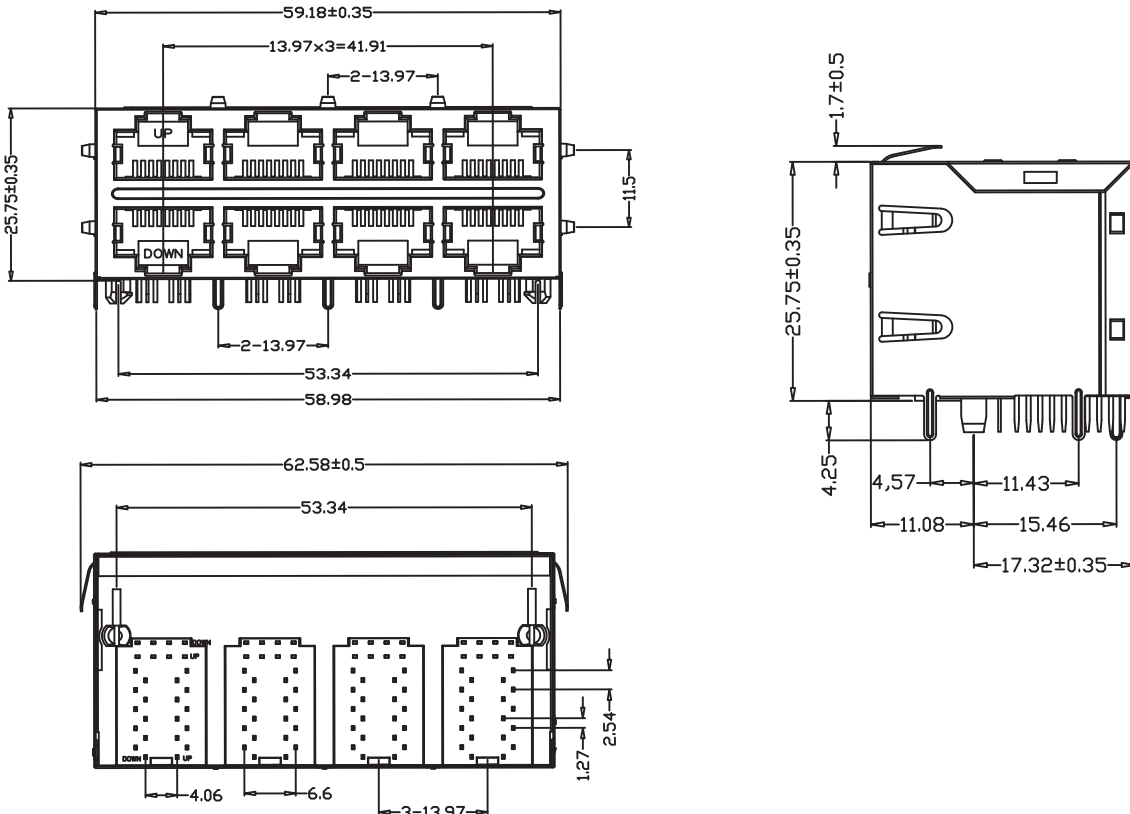
Part Number	OCL(uH Min) @ 100kHz, 0.1V	Turns Ratio chip: cable (± 2%)	Cross Talk (dB Min)				HI-POT 1.0mA (V)	
	With 8mA DC Bias		0.5-10MHz	30MHz	50MHz	100MHz	without capacitance	with capacitance
AR24-4175I	350	1CT:1CT	-50	-40	-35	-30	1500	2250

Electrical Specifications @ 25°C

Part Number	Insertion Loss (dB Max)		Return Loss (dB Min) @ Load 100 Ohm					CMR (dB Min)
	1-100MHz	100-125 MHz (10/100/100)	1-30MHz	30-50MHz	60MHz	60-80MHz	80-100MHz (10/100/1000)	1-100MHz
AR24-4175I	-1.0	-1.2	-18	-16	-14	-12	-10	-30

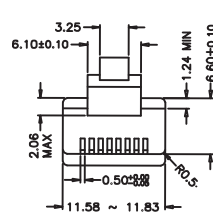
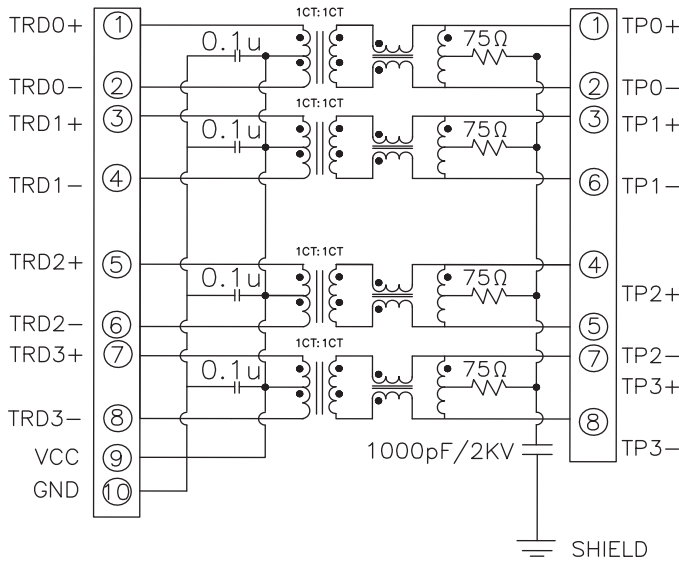
All specifications subject to change without notice.

MECHANICAL

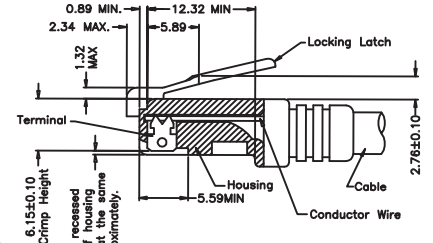




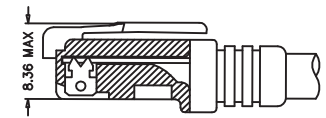
SCHEMATICS



* There must be no damage to housing or locking latch. There must be no nicks or cuts in cable.
 * Durability : 750 cycles generally



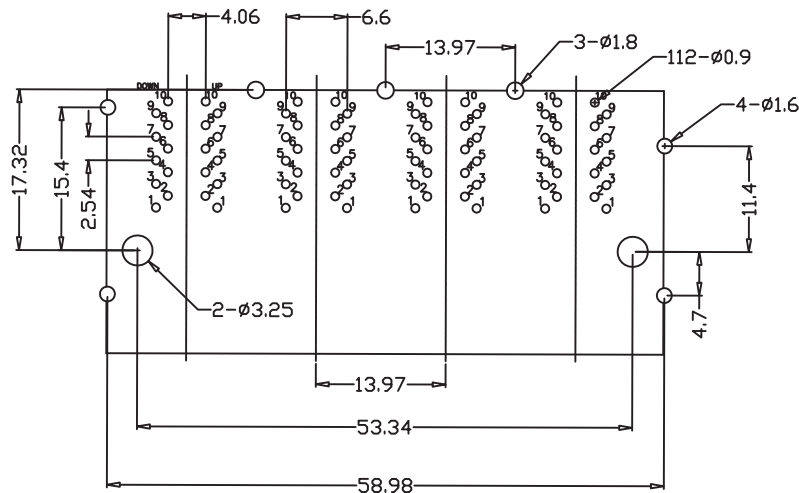
All contacts recessed below top of housing and must be at the same height approximately.
 FOLLOW SPECIFICATION : FCC, PART 68, SUBPART F FIGURE 68.500 (C)(2)(i) AND IEC 603-7 FIGURE 23 & 24



FOLLOW SPECIFICATION : FCC, PART 68, SUBPART F FIGURE 68.500 (C)(2)(ii)

PCB LAYOUT

STANDARD MODULAR PLUG ASSEMBLY



RECOMMENDED PCB LAYOUT COMPONENT SIDE
 ALL DIMENSION TOLERANCE ARE ±0.05 UNLESS OTHERWISE SPECIFIED

NOTES

1. Shield- 0.20mm THICKNESS BRASS C2680 H. PLATING NICKEL 20u" Min
2. Housing- Standard Material Nylon66, Glass filled Polyester UL94V-0 Standard Color Black.
3. Insert Pin- Plastic: Nylon66, UL94V-0, Standard Color Black.
 Pin: 0.35mm Thickness Phos-Bronze C5210 EH.
 Plating: Nickel 40u"-60u" for all and Sn 100%, and 30u" Gold Plating.
4. Contact Pin: Plastic Nylon66, Glass Filled, UL94V-0, Standard Color Black.
 Pin: 0.35mm Thickness Phos-Bronze C2680.
 Plating: Nickel 40u"-60u" for all and Sn 100%.