



- 10/100/1000 Base-T Gigabit for Ethernet Applications
- Standard Operating Temp: -0°C to + 70°C
- Contact Factory for Industrial Temp.
- Can be used side by side for 2X2 applications

Electrical Specifications @ 25°C

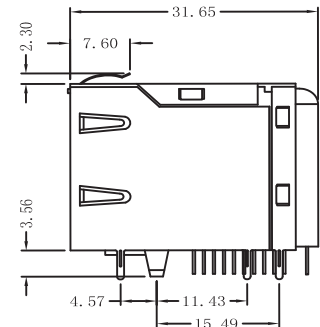
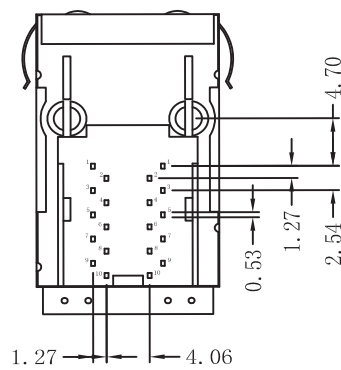
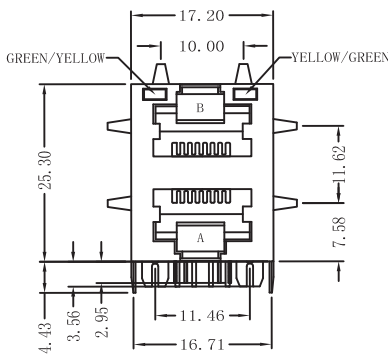
Part Number	OCL(uH Min) @ 100kHz, 0.1V	Turns Ratio chip: cable (±2%)	Insertion Loss (dB Max)	Return Loss (dB Min) load 100Ω±15Ω		
	With 8mA DC Bias		1-65MHz	1-10MHz	30MHz	60-80MHz
AR21-4186	350	1:1	-1.0	-20	-16	-12

Electrical Specifications @ 25°C

Cross Talk (dB Min)			Common Mode Rejection (dB Min)		HI-POT (Vrms) 1.0mA/3Sec. 1500
1-100MHz	32~60MHz	60~100MHz	1~50MHz	50~130MHz	
-40	-35	-30	-50	-20	

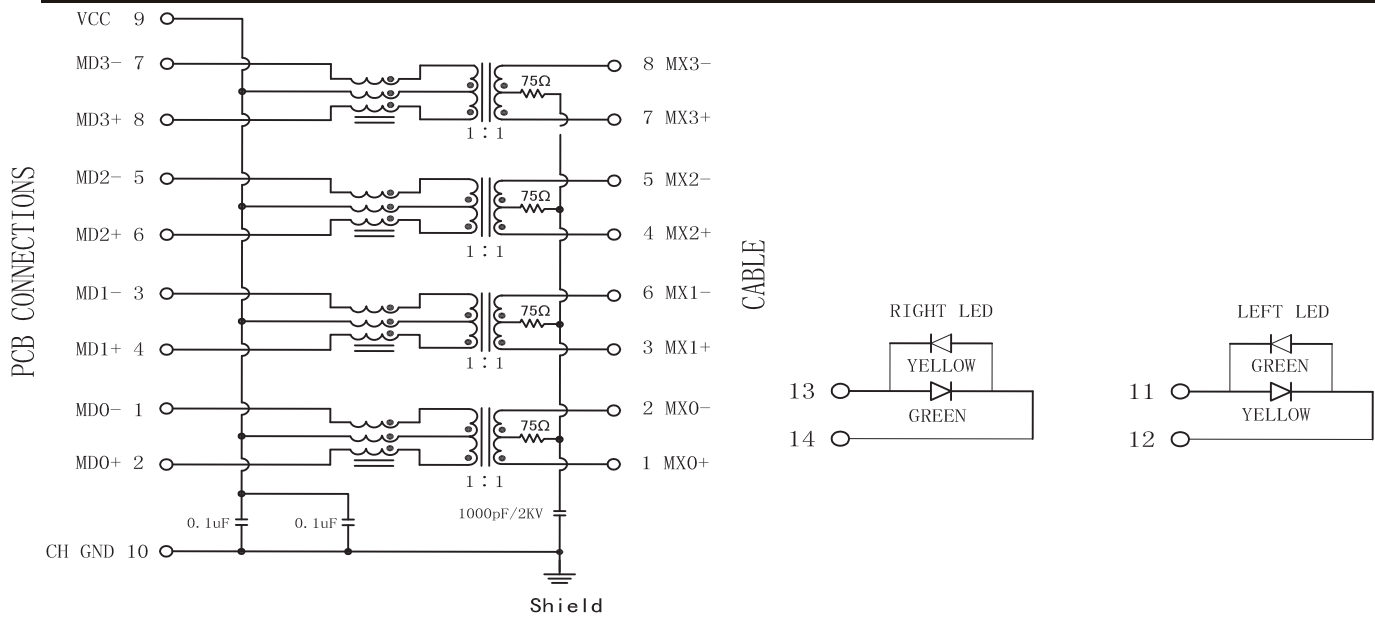
All specifications subject to change without notice.

MECHANICAL

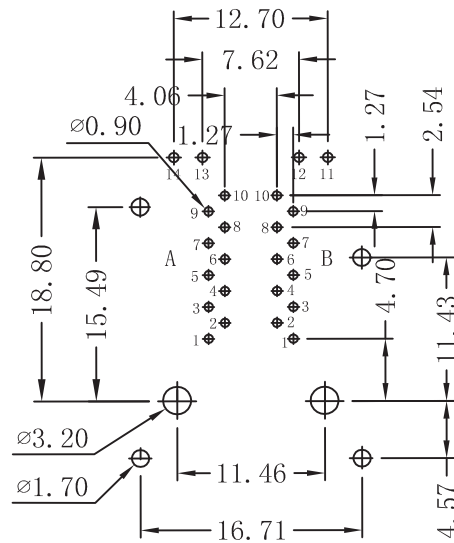




SCHEMATICS



PCB LAYOUT



NOTES

Connector Materials:
 Housing: Thermoplastic UL94V-0
 Contact/Shield: Copper alloy
 Shield plating: Nickel
 Contact plating: Gold 6 micro-inches min.
 In contact area.