

- 10/100/1000 Base-T Gigabit for Ethernet Applications
- Operating Temp: 0°C to + 70°C
- Contact Factory for possible Industrial Temp version
- Available in other Circuit Designs
- Optional Gold Plating Thickness

Electrical Specifications @ 25°C

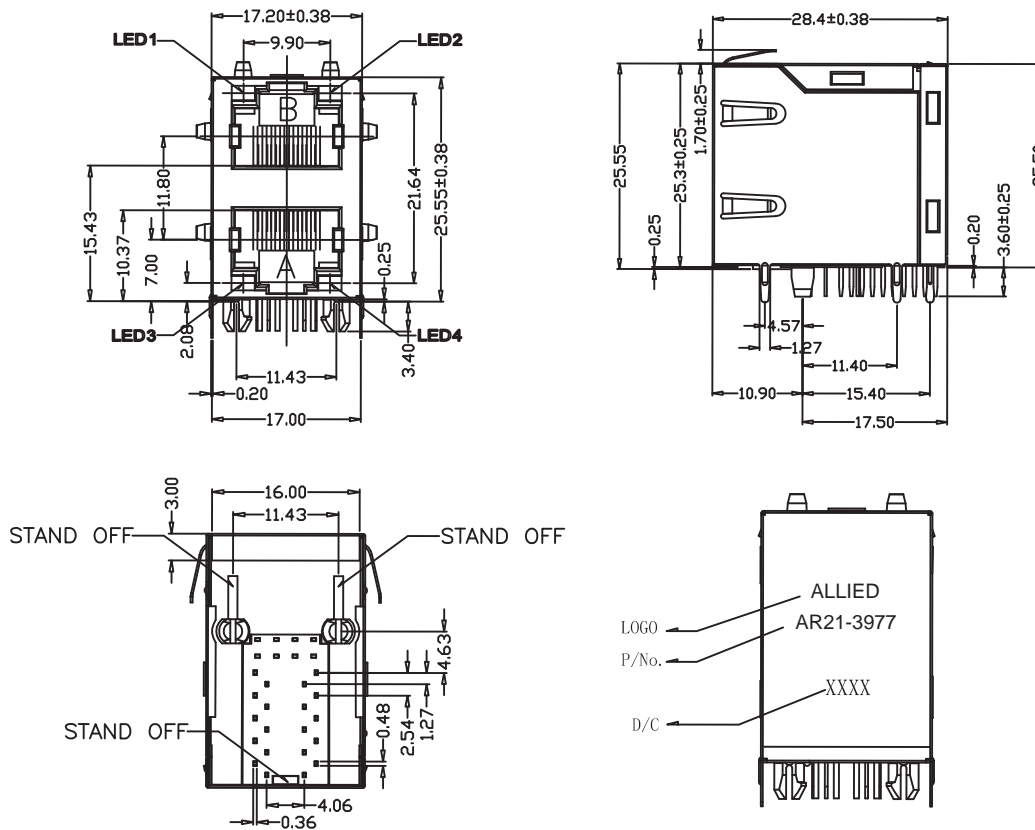
Part Number	OCL(μ H Min) @ 100kHz, 0.1V With 8mA DC Bias	Turns Ratio chip: cable ($\pm 2\%$)	Insertion Loss (dB Max)	Return Loss (dB Min)		
	1-100MHz		1-30MHz	30-60MHz	60-80MHz	
AR21-3977	350	1:1	-1.0	-18	-18-20Log(F/30MHz)	-12

Electrical Specifications @ 25°C

Cross Talk (dB Min)					CMR (dB Min)					CDMR (dB Min)				HI-POT (Vrms)	
0.5-1MHz	10MHz	30MHz	50MHz	100MHz	0.3-1MHz	10MHz	30MHz	60MHz	100MHz	0.3-1MHz	10MHz	30MHz	60MHz	100MHz	1.0mA/3Sec.
-50	-50	-40	-35	-30	-50	-47	-42	-37	-30	-50	-50	-50	-45	-40	1500

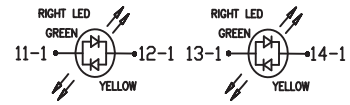
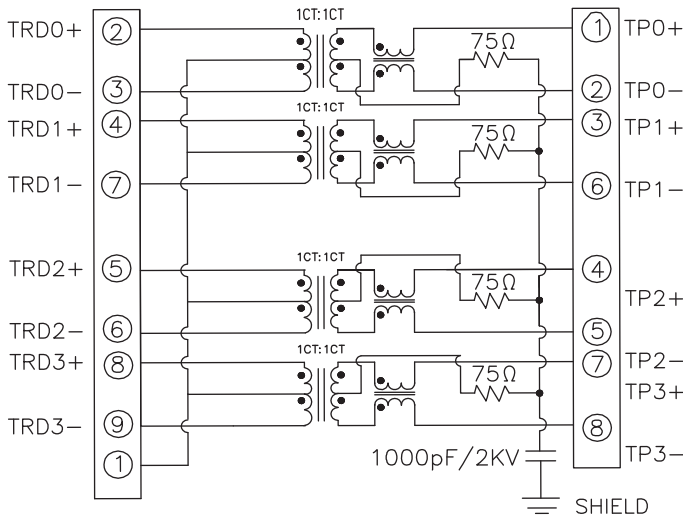
All specifications subject to change without notice.

MECHANICAL

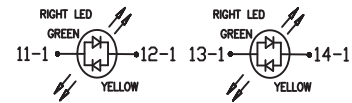




SCHEMATICS



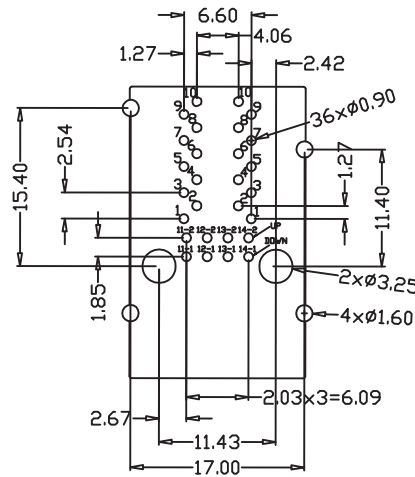
UPPER ROW LED



LOWER ROW LED

Standard LED	Wavelength	Forward*V(20mA)	MAX
Green	560-580nm	2.1-2.2 V	2.5v
Yellow	580-610nm	2.1-2.2 V	2.5v

PCB LAYOUT



RECOMMENDED PCB LAYOUT COMPONENT SIDE
ALL DIMENSION TOLERANCE ARE ±0.05 UNLESS OTHERWISE SPECIFIED

NOTES

- Shield- 0.20mm THICKNESS BRASS C2680 H. PLATING NICKEL 20u" Min
- Housing- Standard Material High Temperature FR52,Glass filled Polyester UL94V-0 Standard Color Black.
- RJ Terminal- Plastic: FR52, UL94V-0, Standard Color Black.
Pin: 0.35mm Thickness Phos-Bronze C5210 EH.
Plating: Nickel 30u"-50u" for all and Sn 100%, and 30u" Gold Plating.
- Input Terminal: FR52, Glass Filled, UL94V-0, Standard Color Black.
Pin: 0.35mm Thickness Phos-Bronze C5191.
Plating: Nickel 30u"-50u" for all and Sn 100%.