



- 10/100/1000 Base-T Ethernet Application
- Impedance: 100OHMS
- Transmit open circuit inductance (OCL): 350uH (MIN) @100KHz,0.1VRMS with 8mA DC Bias
- RJ45 jack cavity conforms to FCC rules and regulations Part 68, SUB Part F
- Industrial Operating temp: -40°C to +85°C
- Contact Factory for Standard Temp.
- Storage temperature range: -40°C to +85°C

**Electrical Specifications @ 25°C**

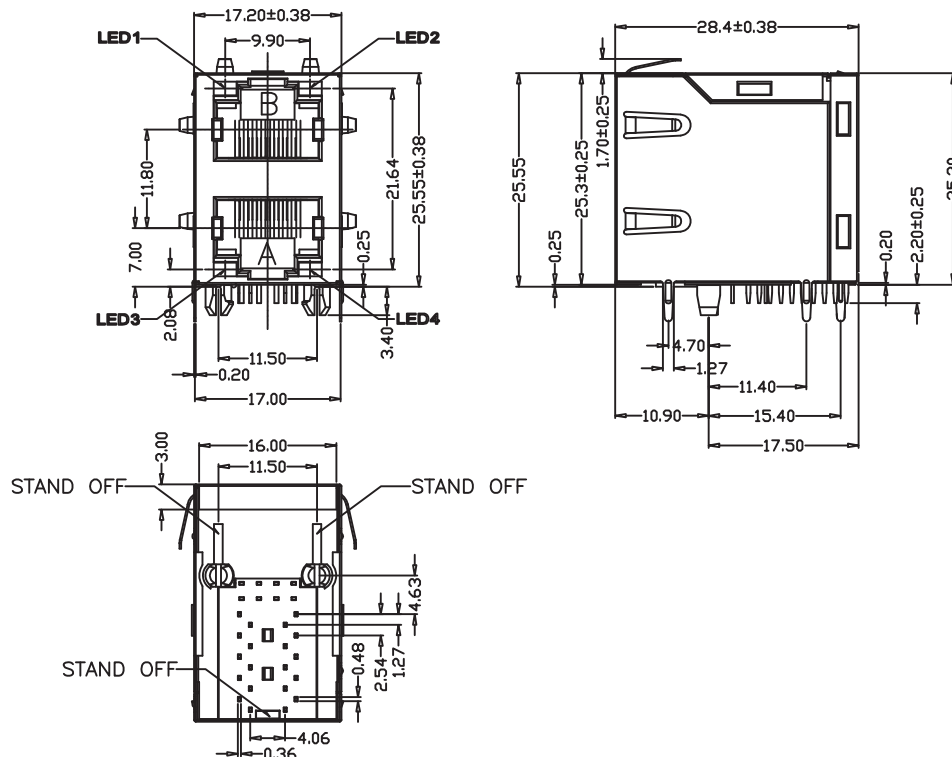
Part Number	OCL(uH Min) @ 100kHz, 0.1V With 8mA DC Bias	Turns Ratio chip: cable (±3%)	Insertion Loss (dB Max)	Return Loss (dB Min)		
			1-100MHz	1-30MHz	30-60MHz	60-80MHz
AR21-3694I	350	1CT:1CT	1.0	18	16	12

**Electrical Specifications @ 25°C**

Part Number	Common Mode Rejection (dB Min)	Cross Talk (dB Min)	HI-POT (VDC) 60Sec.
	1-100MHz	1-100MHz	
AR21-3694I	-30	-30	2250

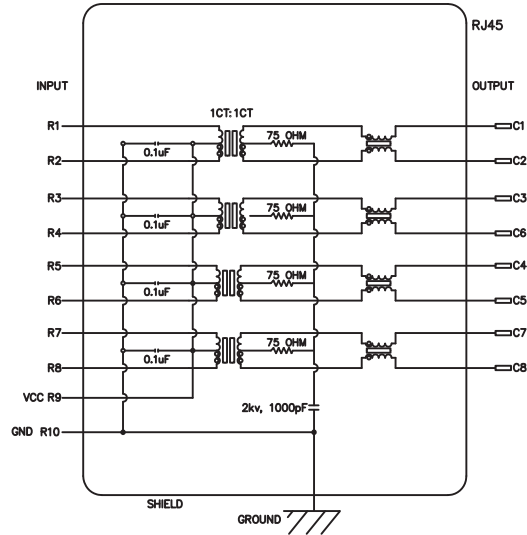
All specifications subject to change without notice.

**MECHANICAL**

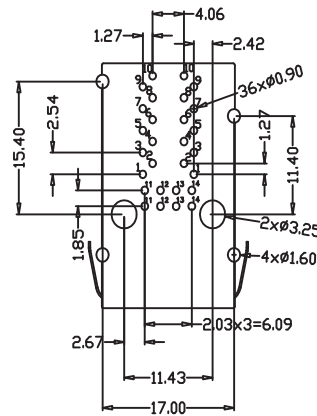




**SCHEMATICS**



**PCB LAYOUT**



RECOMMENDED PCB LAYOUT COMPONENT SIDE  
ALL DIMENSION TOLERANCE ARE ±0.05 UNLESS OTHERWISE SPECIFIED



**NOTES**

1. Shield- 0.20mm THICKNESS BRASS C2680 H.  
PLATING NICKEL 30u"-50u"
2. Housing- Standard Material Nylon66, Glass filled  
Polyester UL94V-0 Standard Color Black.
3. RJ Terminal- Plastic: PBT+30% GF, UL94V-0, Standard  
Color Black.  
Pin: 0.35mm Thickness Phos-Bronze C5210 EH.  
Plating: Nickel 40u"-60u" for all and Sn 100%, and  
6u" Gold Plating.
4. Input Terminal: Plastic: Nylon 66 Glass Filled, UL94V-0,  
Standard Color Black.  
Pin: 0.35mm Thickness Phos-Bronze C2680.  
Plating: Nickel 40u"-60u" for all and Sn 100%.