



- 10/100 BaseT Gigabit Ethernet Application
- Single Port USB 2.0
- Transmit open circuit inductance (OCL): 350uH (MIN) @100KHz,0.1VRMS with 8mA DC Bias
- RJ45 jack cavity conforms to FCC rules and regulations Part 68, SUB Part F
- Standard Operating Temp: 0°C to +70°C
- Contact Factory for Industrial Temp.
- Storage temperature range: -40°C to +85°C

Electrical Specifications @ 25°C

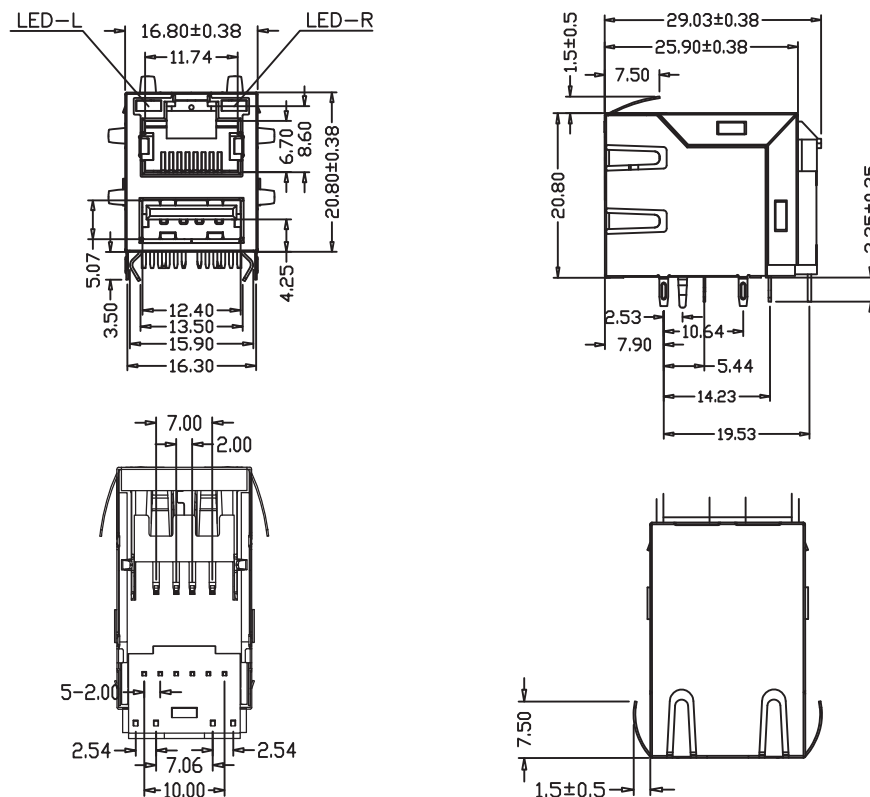
Part Number	OCL(uH Min) @ 100kHz, 0.1V With 8mA DC Bias	Turns Ratio chip: cable (±2%)	Insertion Loss (dB Max)	Return Loss (dB Min)		
	1-100MHz		1-30MHz	30-60MHz	60-80MHz	
AR1USB1-3826	350	1CT:1CT	1.0	-18	-18-20LOG(F/30MHz)	-12

Electrical Specifications @ 25°C

Cross Talk (dB Min)					CMR (dB Min)					CDMR (dB Min)					HI-POT (Vrms) 0.5mA/2Sec.
0.5-1MHz	10MHz	30MHz	50MHz	100MHz	0.3-1MHz	10MHz	30MHz	60MHz	100MHz	0.3-1MHz	10MHz	30MHz	60MHz	100MHz	1500
-50	-50	-40	-35	-30	-50	-47	-42	-37	-30	-50	-50	-50	-45	-40	1500

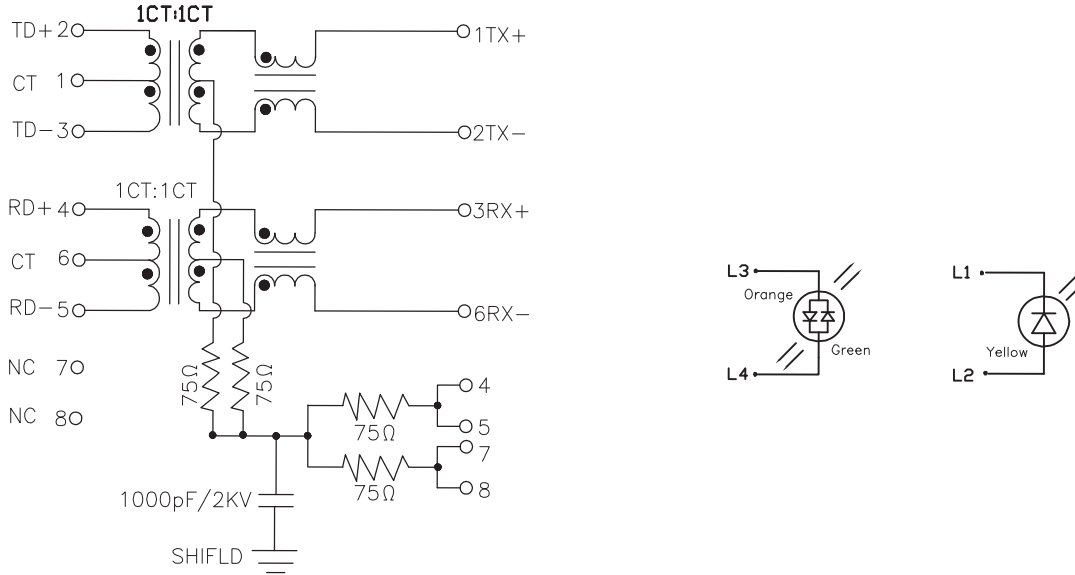
All specifications subject to change without notice.

MECHANICAL

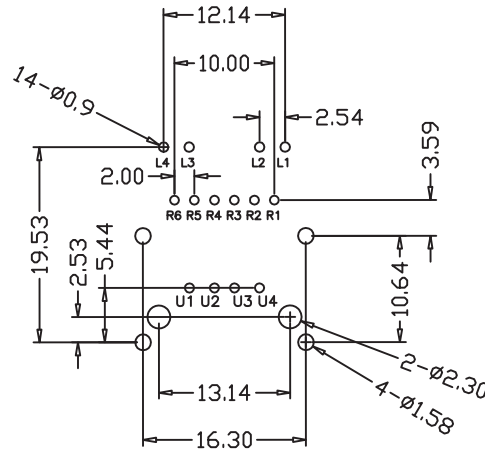




SCHEMATICS



PCB LAYOUT



NOTES

- | | | | |
|---|--|---|---|
| <p>1. Shield-</p> <p>2. Housing-</p> <p>3. Insert Pin-</p> <p>4. Contact Pin-</p> | <p>0.20mm THICKNESS BRASS C2680 H. PLATING NICKEL 20u" Min</p> <p>Standard Material Nylon 66, Glass filled Polyester UL94V-0 Standard Color Black.</p> <p>Plastic: PBT+30% GF UL94V-0, Standard Color Black.</p> <p>Pin: 0.35mm Thickness Phos-Bronze C5210 EH. Plating: Nickel 40u"-60u" for all Sn 100%, and 3u" Gold Plating.</p> <p>Plastic: Nylon 66, Glass Filled, UL94V-0, Standard Color Black.</p> <p>Pin: 0.35mm Thickness Phos-Bronze C2680. Plating: Nickel 40u"-60u" for all Sn 100%.</p> | <p>USB</p> <p>1. Shielded-</p> <p>2. Contact Pin-</p> | <p>STEEL, 20u"---40u", Nickel Plated Overall</p> <p>Plastic: PBT+30% GF UL94V-0, Standard Color Black.</p> <p>Pin: 0.35mm Thickness Phos-Bronze C5210 EH. Plating: Nickel 40u"-60u" for all and Sn 100%. and Gold Plating</p> |
|---|--|---|---|