



- 10/100 Base-T Ethernet Application
- Impedance: 100OHMS
- Transmit open circuit inductance (OCL): 350uH (MIN) @100KHz,0.1VRMS with 8mA DC Bias
- RJ45 jack cavity conforms to FCC rules and regulations Part 68, SUB Part F
- Standard operating temp: 0°C to +70°C
- Storage temperature range: -40°C to +85°C

Electrical Specifications @ 25°C

| Part Number | OCL(uH Min) @ 100kHz, 0.1V With 8mA DC Bias | Turns Ratio chip: cable (±3%) | Insertion Loss (dB Max) | Return Loss (dB Min) | | |
|-------------|---|-------------------------------------|----------------------------|-------------------------|-------|-------|
| | | | 0.3-100MHz | 30MHz | 50MHz | 80MHz |
| AR14-3639-1 | 350 | 1CT:1CT | -1.0 | -18 | -15 | -12 |

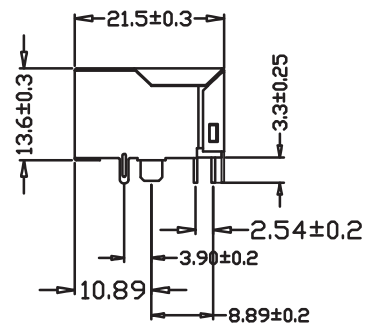
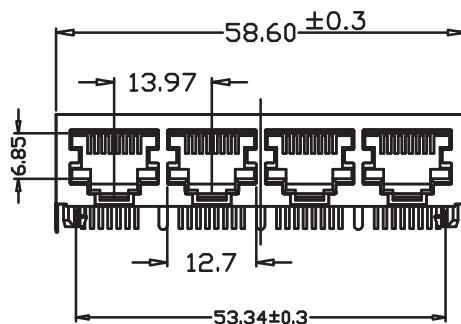
Electrical Specifications @ 25°C

| Part Number | Cross Talk (dB Min) | | | CMR (dB Min) | | | HI-POT (Vrms) 0.5mA/2Sec. |
|-------------|------------------------|-------|--------|-----------------|-------|--------|---------------------------------|
| | 30MHz | 60MHz | 100MHz | 30MHz | 60MHz | 100MHz | |
| AR14-3639-1 | -38 | -38 | -38 | -40 | -40 | -40 | 1500 |

All specifications subject to change without notice.

MECHANICAL

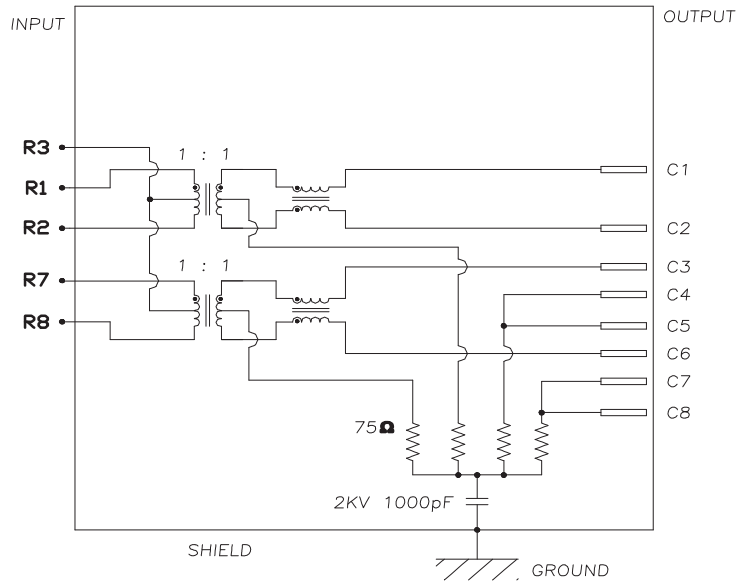
AR14-3639-1





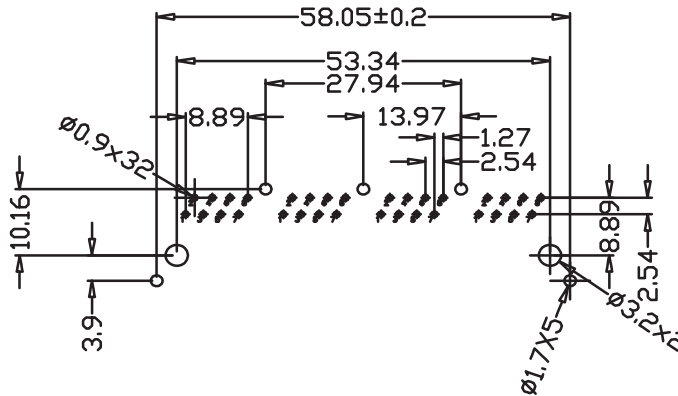
SCHEMATICS

AR14-3639-1



PCB LAYOUT

AR14-3639-1



NOTES

1. Shield- 0.25mm THICKNESS BRASS C2680 H. PLATING NICKEL 30u"-50u"
2. Housing- Standard Material Nylon 66, 30% GF, Glass filled Polyester UL94V-0 Standard Color Black.
3. RJ Terminal- Plastic: PBT UL94V-0, Standard Color Black.
Pin: 0.35mm Thickness Phos-Bronze C5210 EH.
Plating: Nickel 40u"-60u" for all and Sn 100%, and 6u" Gold Plating.
4. Input Terminal- Plastic: PBT 30% G.F., Glass Filled, UL94V-0, Standard Color Black.
Pin: 0.35mm Thickness Phos-Bronze C2680.
Plating: Nickel 40u"-60u" for all and Sn 100%.